



## OWNERS MANUAL

7630: Wonder Tray Premium

**WARNING:** Do not assemble, or use product until you have reviewed and understand the included:

- SAFETY WARNINGS
- ASSEMBLY INSTRUCTIONS

Keep this manual for future reference.

Installer/Assembler: Leave these instructions with the consumer.

For questions or clarification, contact Stander at (800) 506-9901 or (435) 755-0453

2410 Heritage Dr. Logan UT 84321 [sales@stander.com](mailto:sales@stander.com) [www.stander.com](http://www.stander.com)

**English-** For Owners Manual in English: [www.stander.com/product-manuals](http://www.stander.com/product-manuals)

**Español-** Para manual del propietario en Español: [www.stander.com/product-manuals](http://www.stander.com/product-manuals)

**Deutsch-** Für das Benutzerhandbuch auf Deutsch: [www.stander.com/product-manuals](http://www.stander.com/product-manuals)

**Français-** Pour le manuel du propriétaire en Français: [www.stander.com/product-manuals](http://www.stander.com/product-manuals)

**Italiano-** Per il manuale del proprietario in Italiano: [www.stander.com/product-manuals](http://www.stander.com/product-manuals)



## LIMITED LIFETIME WARRANTY

To register your product for a Limited Lifetime Warranty, please Visit [stander.com/product-registration](http://stander.com/product-registration).

Stander, Inc. ("Stander") warrants to the original purchaser that the Product will be free from material defects in material or workmanship for the lifetime of the product. This limited lifetime warranty applies only when the Product is used consistent with the Product's specifications and is non-transferable and shall solely be applicable to the original purchaser.

In the event of a warranty claim, the original purchaser must notify Stander, during the warranty period, in writing of the alleged defect in workmanship or material and must ship the Product, along with the proof of purchase, to Stander.

All shipping costs must be paid by the original purchaser. Stander will not refund or pay for any shipping charges.

If Stander determines, upon its sole determination, that there is a material defect in the material or workmanship of the Product, Stander will either send replacement parts or, if needed, replace the product and ship a replacement product or parts to the original purchaser.

The limited lifetime warranty does NOT apply to any Product:

- (1) That has been damaged in any way.
- (2) That has been altered or modified in any way or is used with any unauthorized attachments.
- (3) That was not properly installed or that was not used in accordance with the instructions provided by Stander.
- (4) That was used for purposes other than those for which the Product was designed or intended.
- (5) Damaged due to abuse, misuse, mishandling, neglect, misapplication, accident or abnormal use or storage.

STANDER MAKES NO WARRANTIES OTHER THAN THOSE EXPRESSLY SET FORTH HEREIN. ALL OTHER WARRANTIES, EXPRESS OR IMPLIED INCLUDING ALL (I) IMPLIED WARRANTIES OF MERCHANTABILITY OR FITNESS FOR A PARTICULAR PURPOSE, OR (II) IMPLIED WARRANTIES ARISING FROM ANY COURSE OF DEALING, USAGE OF TRADE, ADVERTISING OR PERFORMANCE OF PRODUCTS TO STANDARDS SPECIFIC TO THE COUNTRY OF IMPORT, ARE HEREBY EXPRESSLY DISCLAIMED.

THIS LIMITED LIFETIME WARRANTY IS THE FULL AND COMPLETE STATEMENT OF STANDER'S LIMITED LIFETIME WARRANTY OF THE PRODUCT, CONSTITUTES THE ENTIRE AND COMPLETELY INTEGRATED LIMITED LIFETIME WARRANTY OF STANDER, SUPERSEDES ALL OTHER STATEMENTS, AND CANNOT BE VARIED BY ANY ORAL OR OTHER WRITTEN STATEMENT.

THE EXCLUSIVE REMEDY FOR BREACH OF THIS LIMITED LIFETIME WARRANTY IS TO RETURN THE PRODUCT FOR THE REPLACEMENT OF THE NONCONFORMING PRODUCT.

UNDER NO CIRCUMSTANCES SHALL STANDER, INC. BE LIABLE FOR ANY SPECIAL, INCIDENTAL, EXEMPLARY, PUNITIVE, CONSEQUENTIAL DAMAGES, OR OTHER DAMAGES, BASED UPON BREACH OF THIS LIMITED WARRANTY, BREACH OF CONTRACT, OR STRICT LIABILITY.

Some states do not allow limitations on how long an implied warranty lasts. This warranty gives you specific legal rights, and you may also have other rights which vary from state to state. To obtain service under this Limited Warranty, you can reach Stander at (800) 506-9901 or (435) 755-0453.

**DISCLAIMER:** Neither Stander nor the manufacturer will be liable for any harm or injury that results from the improper use or assembly of the product.

**Do not use or attempt to install this product unless you read and understand these warnings and follow all instructions.**



BEO MedConsulting Berlin GmbH  
Helmholtzstr. 2-9  
10587 Berlin, Germany



## **SAFETY WARNINGS**

- a)** NEVER use product unless installed per ASSEMBLY INSTRUCTIONS. If you have any questions about compatibility, installation, or safe use, please contact Stander at (800) 506-9901 or (435) 755-0453.
- b)** This product is for adult use only and is intended to assist disabled persons by providing minimal to moderate weight support while standing from a couch or chair. This product is also intended to hold up to 15lbs (6.8kg) directly on the tray. This product is NEVER to be used by people with Alzheimer's disease, dementia, restlessness, or those who are sedated, confused or frail.
- c)** STOP using product immediately if product is damaged, broken, or if parts are missing. STOP using product immediately if product shifts out of its original position until it is readjusted into the correct position.
- d)** Regularly check the product to make sure it is installed and positioned per the ASSEMBLY INSTRUCTIONS. This product should not be used on any lightweight furniture that would allow the product to become dislodged or move during use of the product.
- e)** If this product is used in a nursing home, assisted living center, or a similar facility, follow all of the facility's policies. DO NOT install or use this product if it does not comply with the facility's policies.
- f)** In the rare occurrence of a serious event with any Stander product, contact Stander at (800) 506-9901 or (435) 755-0453 immediately. A serious event is defined as death or serious deterioration in health that results in a life-threatening illness or injury, permanent impairment, hospitalization, or surgical intervention. Also report to the competent authority of your member state.
- g)** If product is removed, DO NOT reinstall until you have read and fully understand the included SAFETY WARNINGS and ASSEMBLY INSTRUCTIONS.
- h)** NEVER use product on a bed. Do not alter the product in any way or vary the intended use of the product. No external items should be attached to this product.
- i)** Children should not be allowed to hang on or play with this product.
- j)** NEVER stand on, sit on or change babies on tray table.
- k)** NEVER use with hot food or hot liquids.

## ASSEMBLY INSTRUCTIONS

**WARNING:** Do not begin assembly until you have reviewed and understand the included SAFETY WARNINGS.

For questions or clarification, contact Stander at (800) 506-9901 or (435) 755-0453 before proceeding.

Failure to follow these instructions increases the risk of serious injury or death.

### SPECIFICATIONS

**Product Name:** Wonder Tray Premium

**Product #:** 7630

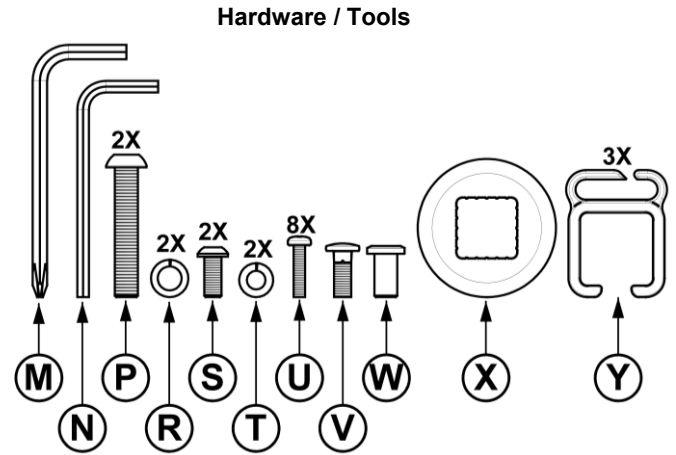
**Maximum Handle Weight:** 250lbs (113kg)

**Maximum Tray Capacity:** 15lbs (6.8kg)

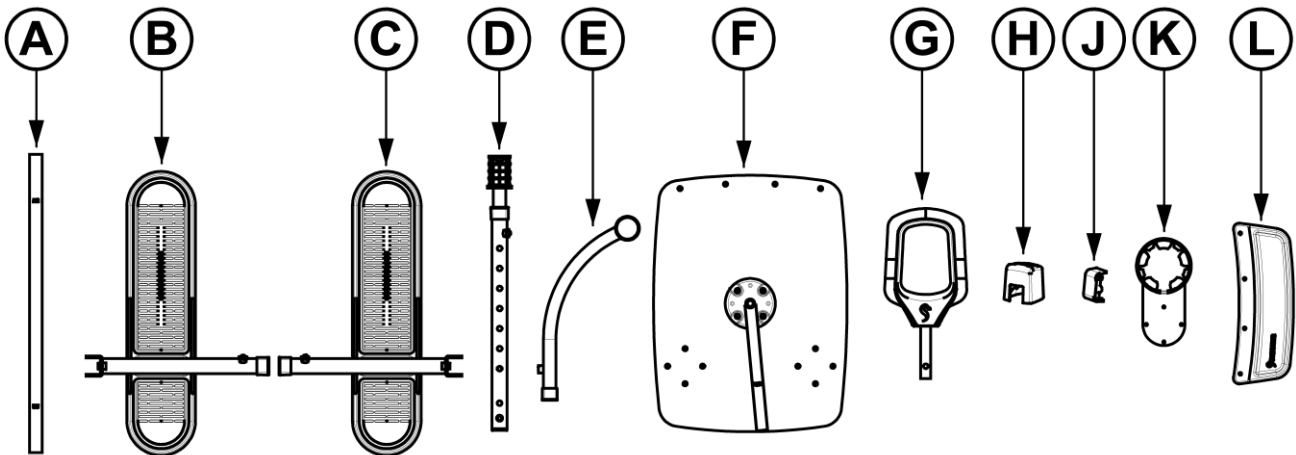
**Compatibility:** Only for use with chairs, couches, or sofas.  
Not intended for use on beds.

**Cleaning:** Clean product with warm water and soap. Dry thoroughly before using.

**Recycling:** Product should be recycled in accordance with national guidelines.



1. Remove product from box and identify all parts as shown in *FIGURE 1*.




**FIGURE 1**

2.

# SCAN FOR ASSEMBLY VIDEO

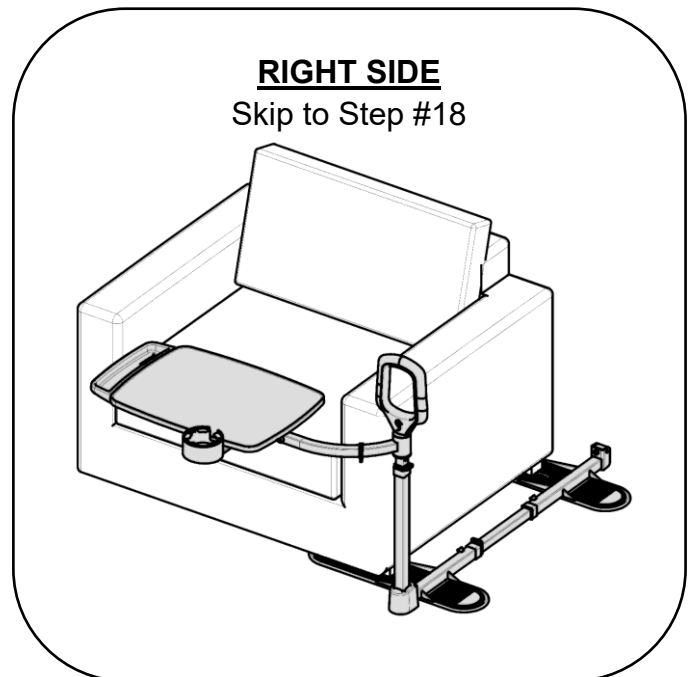
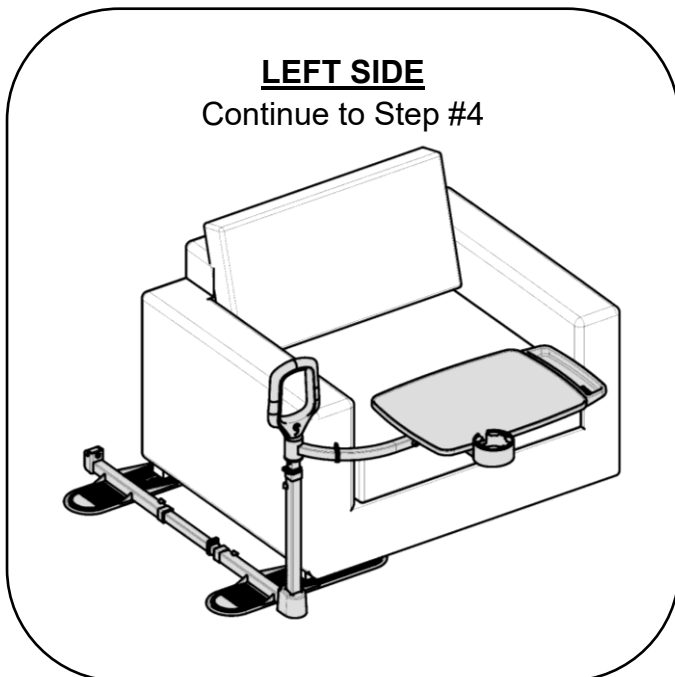


**NEED HELP?  
PLEASE CALL US**

 844.213.9667

 [customerservice@stander.com](mailto:customerservice@stander.com)

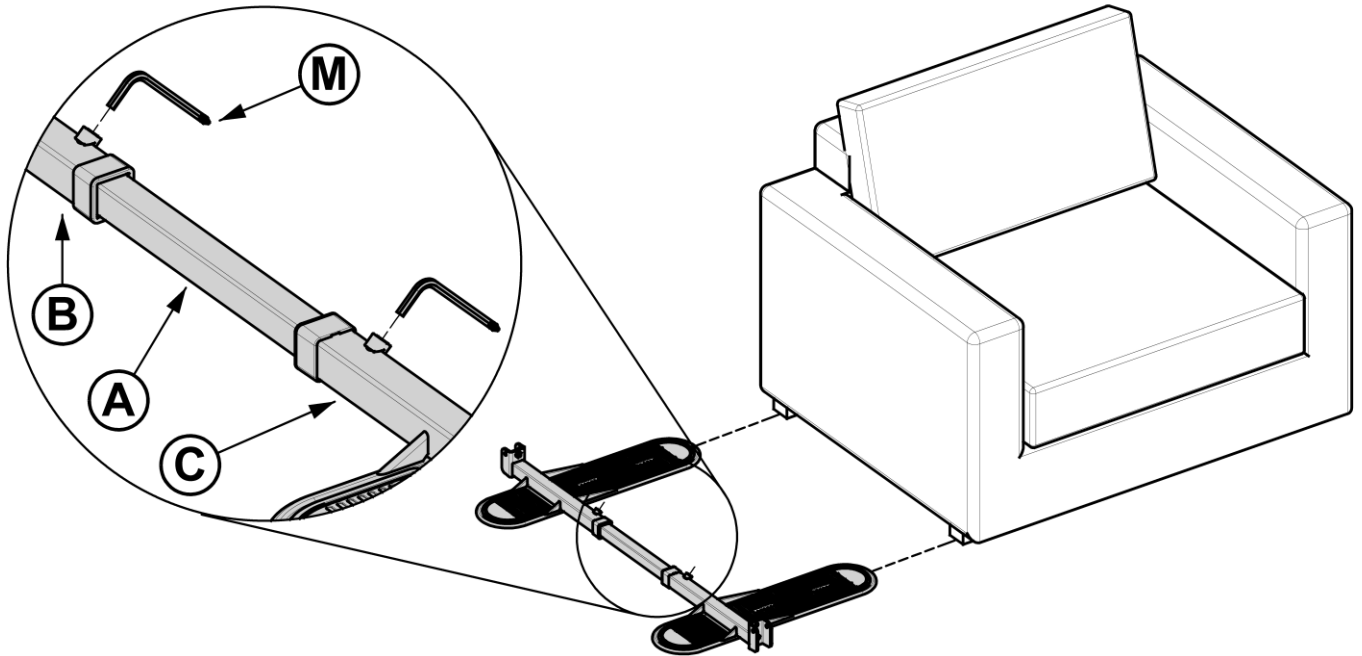
3.



**FIGURE 3**

**LEFT SIDE**  
Assembly and Installation

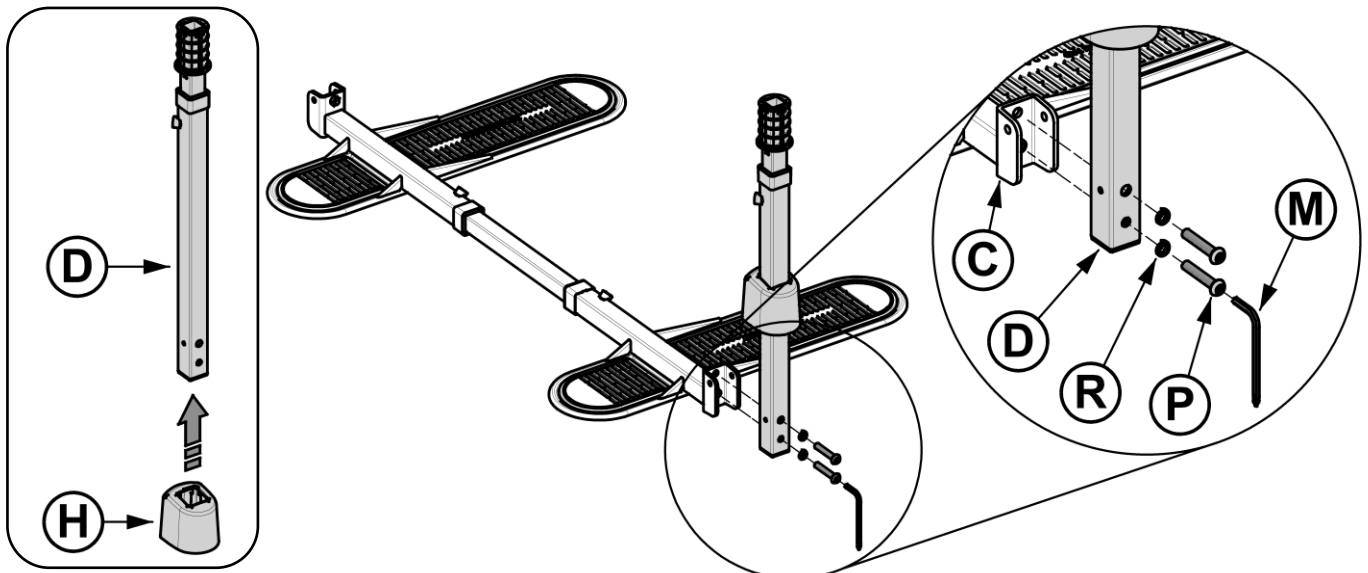
4. Slide Foot Connector **A** into Feet **B** and **C** as shown in *FIGURE 4*. Space out Feet **B** and **C** so that the center of the pads are the same width as furniture feet. Ensure **MAX** markings on Foot Connector **A** are covered by Feet **B** and **C** and tighten Set Screws on Feet **B** and **C** with Tool **M**.



**FIGURE 4**

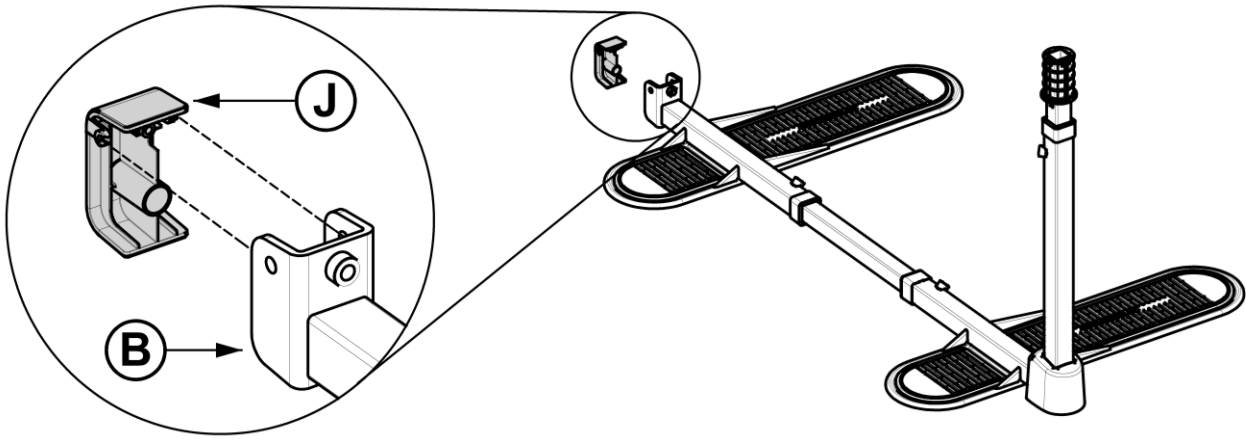
5. Slide Plastic Cover **H** over Upright **D**, and hold **H** up while installing bolts. Align holes in Upright **D** with holes in Base **C** as shown in *FIGURE 5*. Insert Bolts **P** (2x) through Washers **R** (2x) and Upright **D**, thread into Base **C**, and secure with Tool **M**.

**NOTE:** Adjustment holes in Upright **D** should be facing the rear of the product.



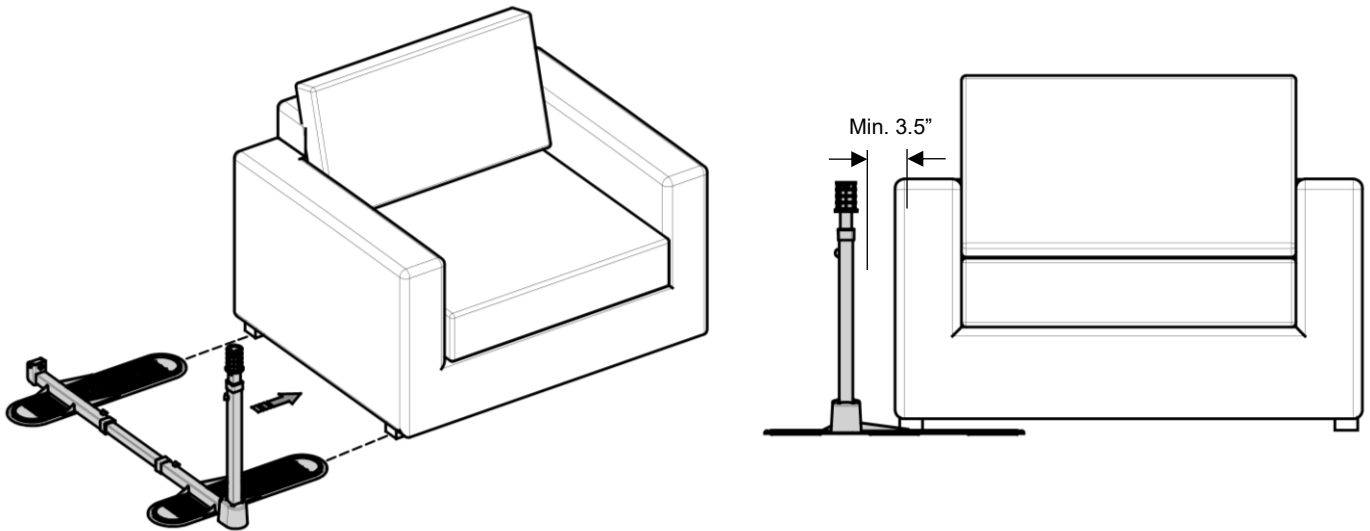
**FIGURE 5**

6. Attach Cap **J** to Base **B**, as shown in *FIGURE 6*.



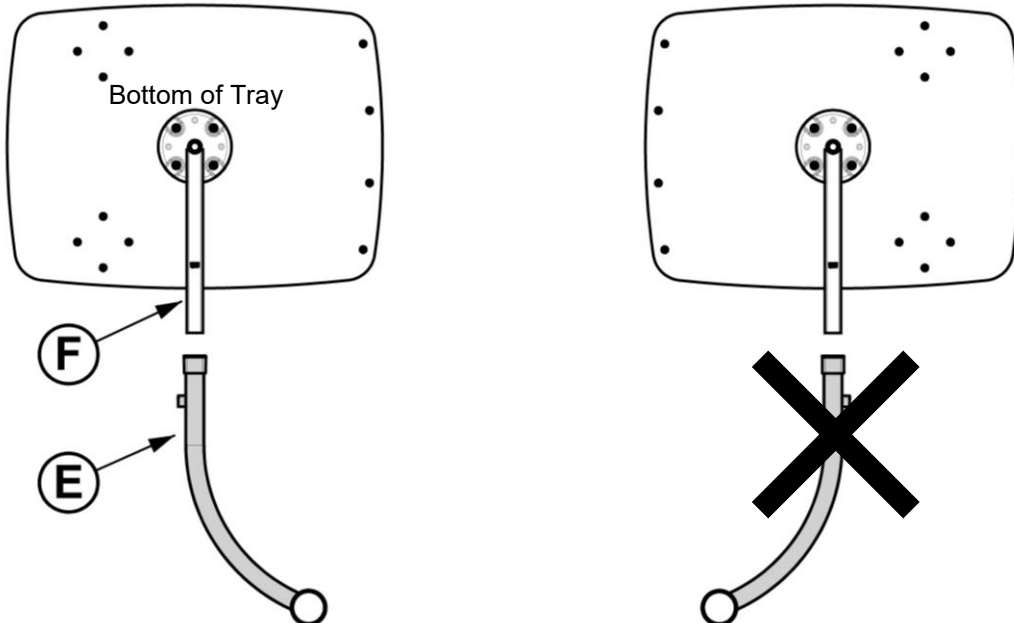
**FIGURE 6**

7. Place center of furniture feet on pads as shown in *FIGURE 7*. Allow at least 3.5 inch (90mm) of space between uprights and furniture arm. Pay special attention to the full motion of lift chairs and recliners so neither vertical support nor Handle comes into contact with furniture.  
**WARNING:** Feet **B** and **C** **MUST** be firmly secured under heavy furniture at all times.



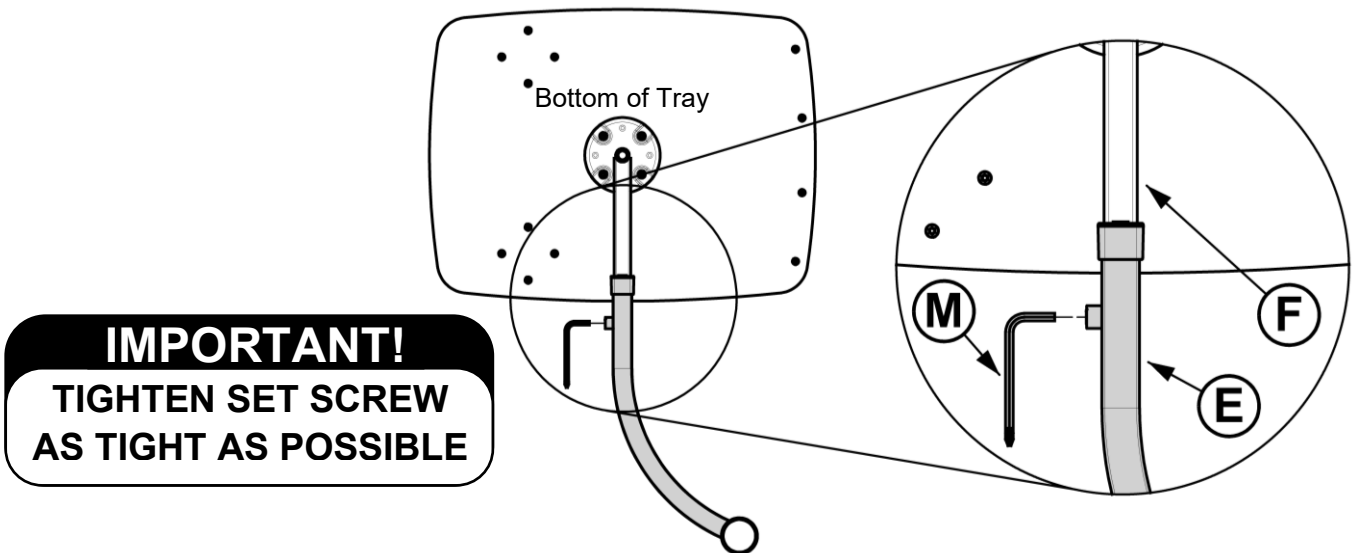
**FIGURE 7**

8. Slide Curved Arm **E** over support tube on Tray **F** until MAX marking is covered. Ensure Curved Arm **E** curves the correct direction as shown in the **Left** image in *FIGURE 8*.



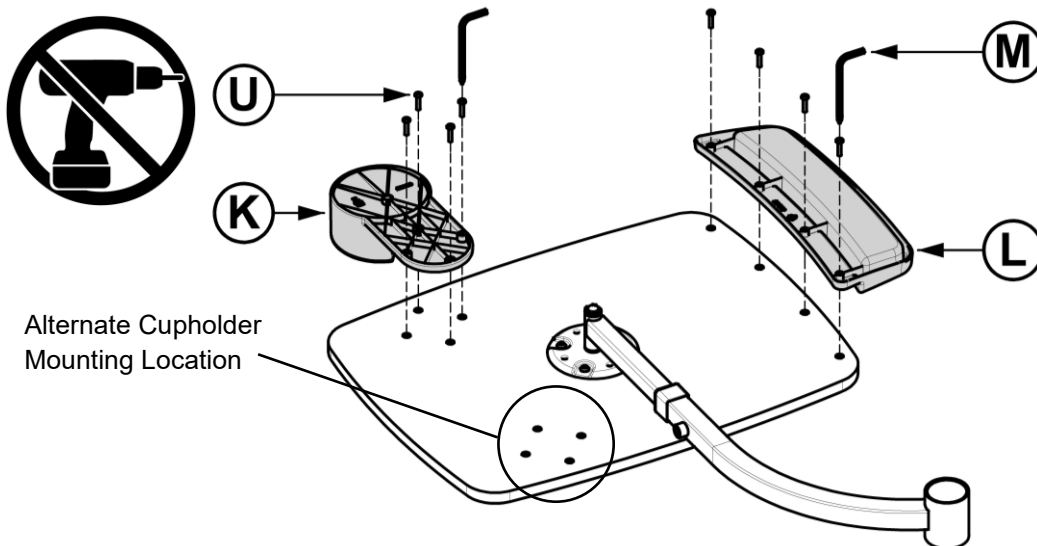
**FIGURE 8**

9. While keeping the MAX marking covered, tighten the Set Screw on Curved Arm **E** with Tool **M**, as shown in *FIGURE 9*.



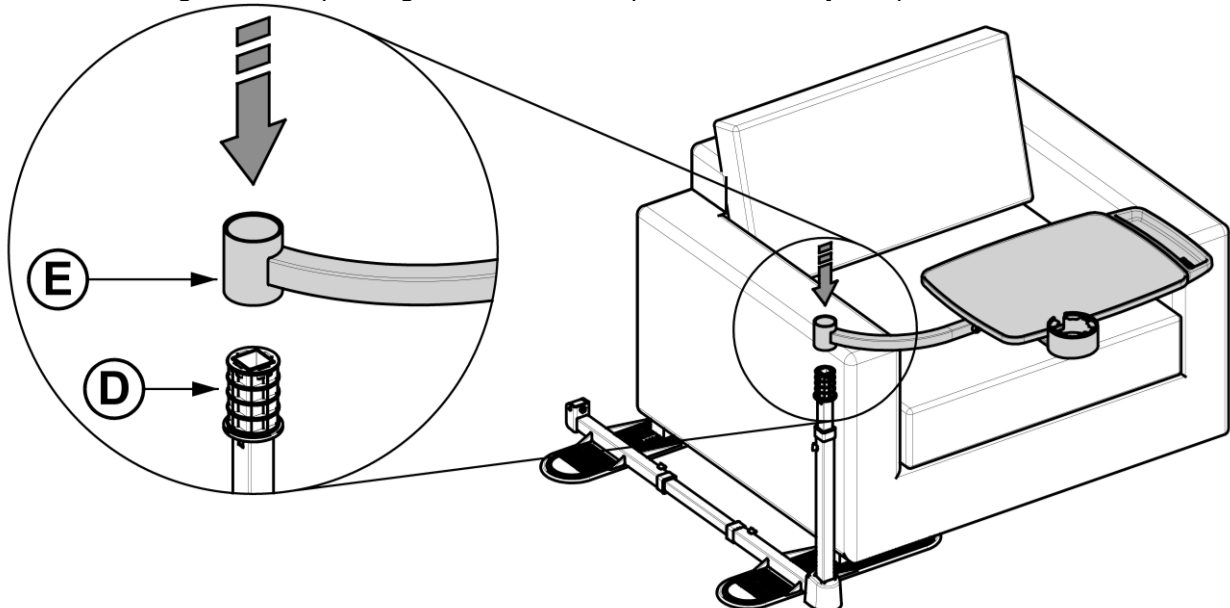
**FIGURE 9**

10. Secure Cupholder **K** and Utensil Organizer **L** to Tray **F** using Screws **U** (4x each) and Tool **M**, as shown in *FIGURE 10*.



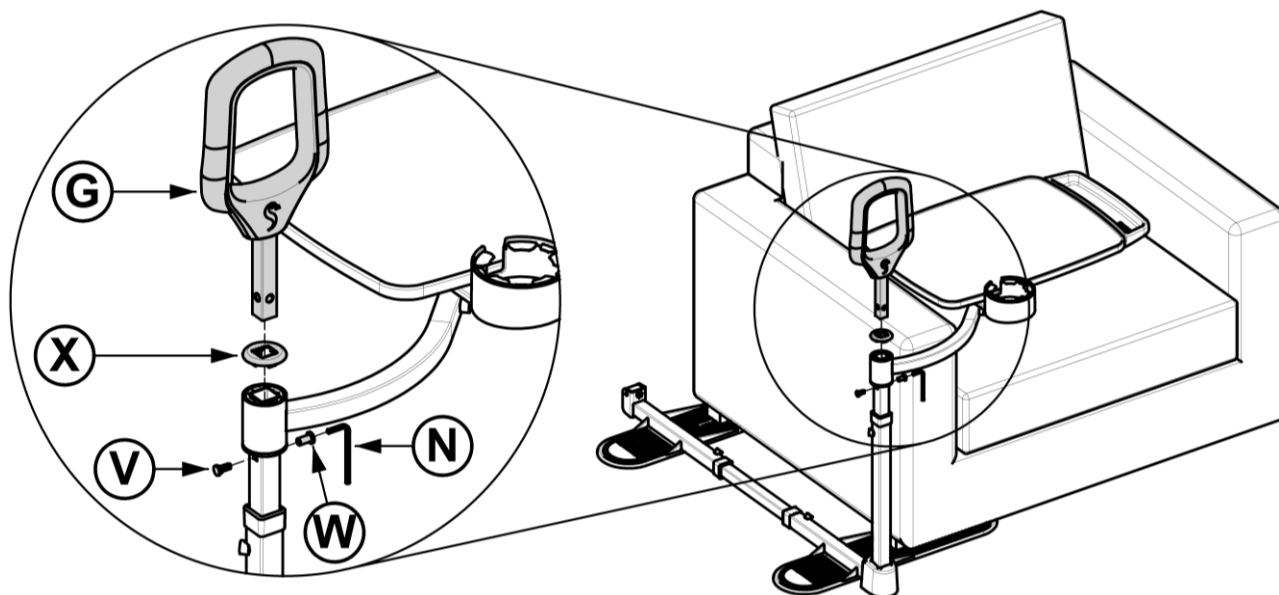
**FIGURE 10**

11. Slide tray and arm assembly onto top of Upright **D**, as shown in *FIGURE 11*.  
**HINT:** Rotating arm while pushing downward will help move assembly into position.



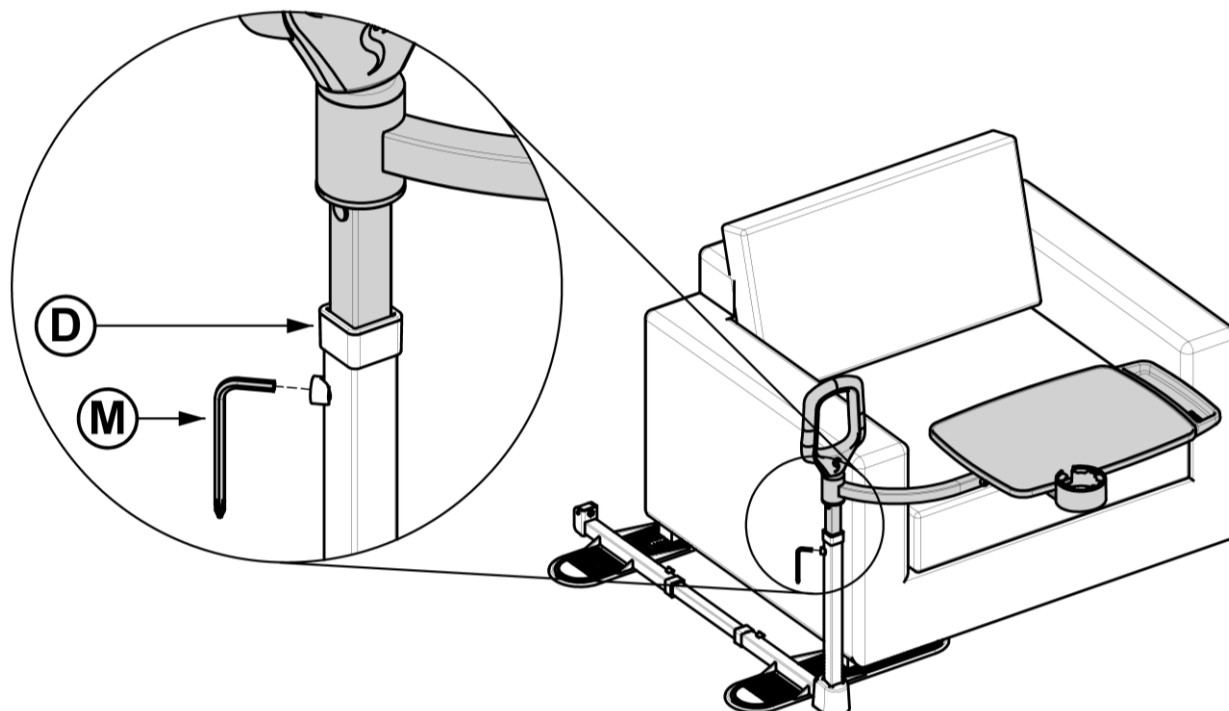
**FIGURE 11**

12. Insert Handle **G** through Cap **X** into upright. Secure with Bolts **V** and **W**, as shown in *FIGURE 12*.



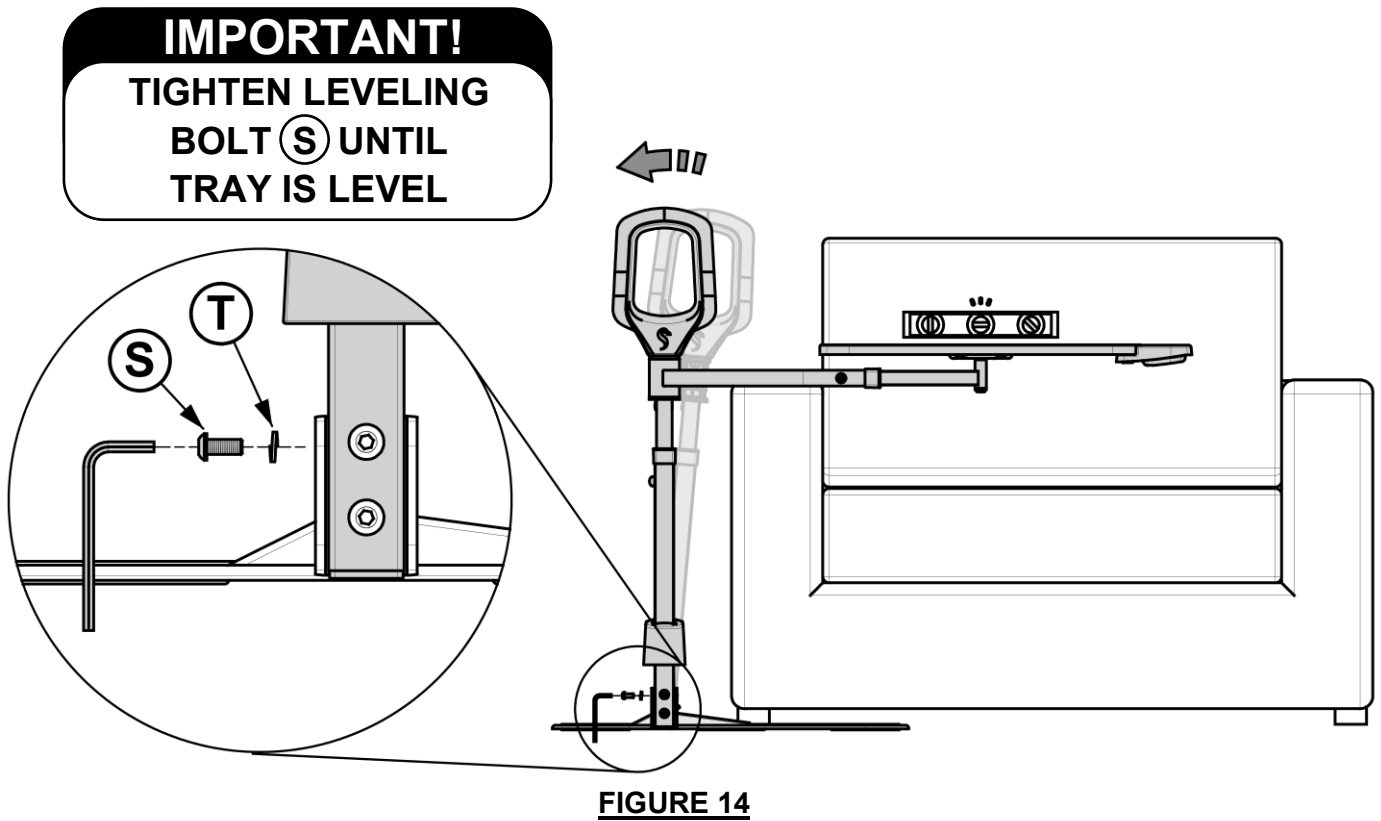
**FIGURE 12**

13. Adjust tray to desired height, ensuring Spring Button is engaged with a hole, and secure Set Screw in Upright **D** with Tool **M** as shown in *FIGURE 13*.

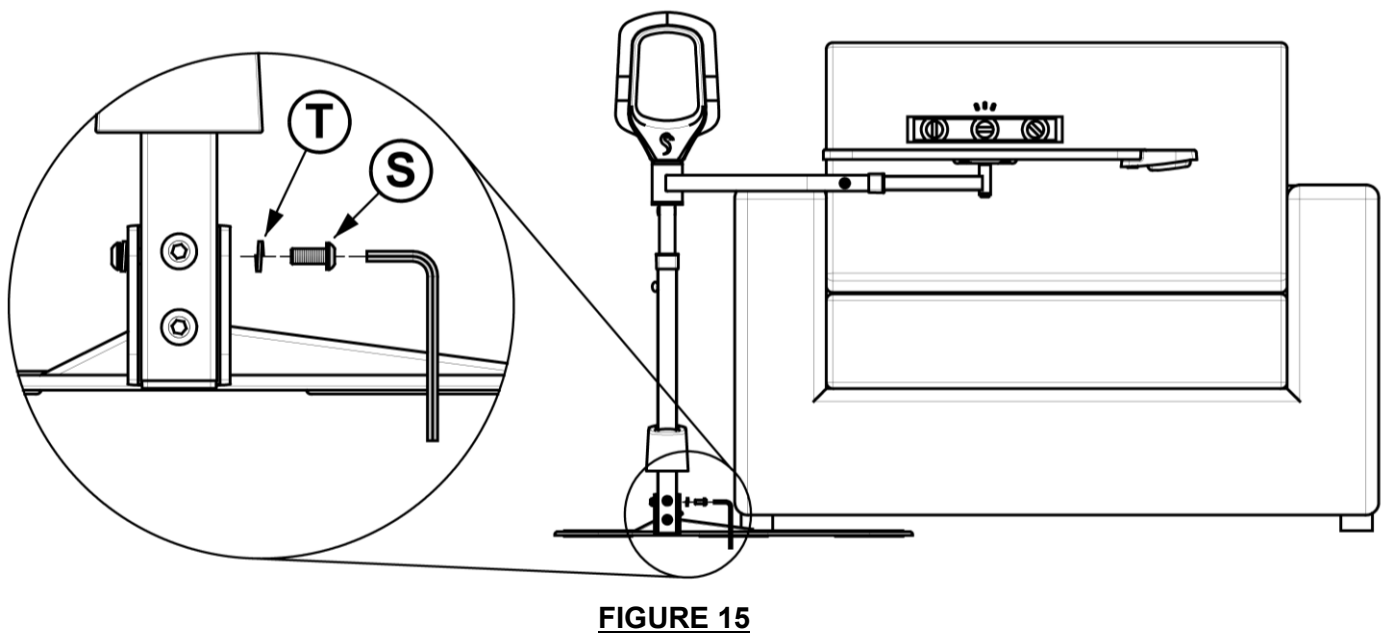


**FIGURE 13**

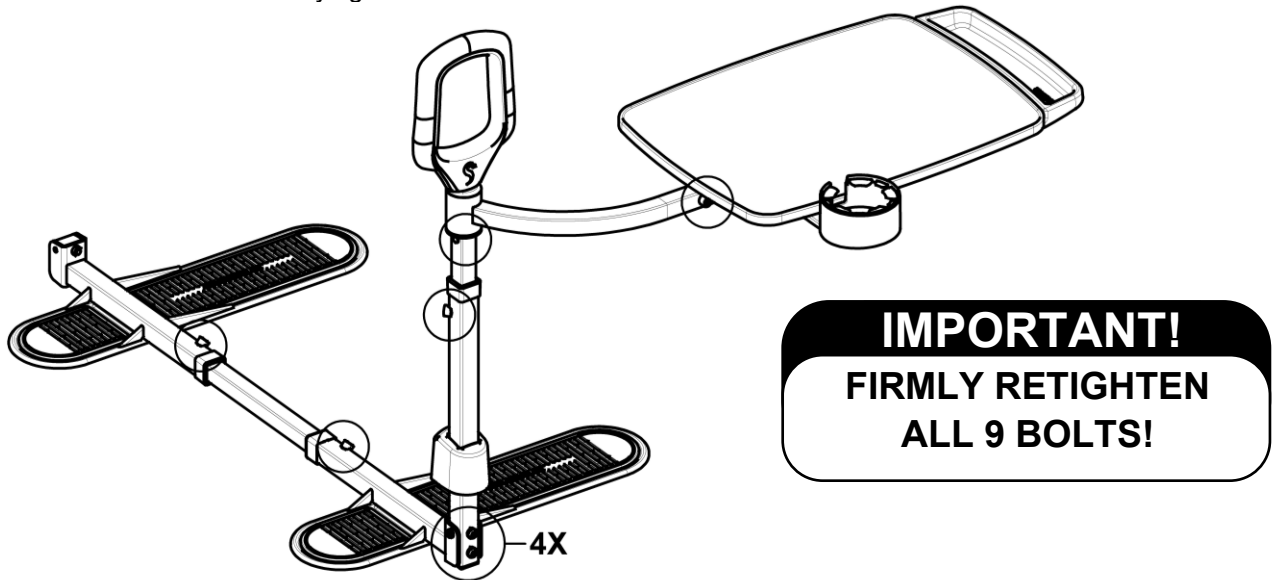
14. With Tray in position shown, insert Leveling Bolt **S** through Washer **T**, into hole in Upright **D**. Tighten Leveling Bolt **S** to pull the Tray level, as shown in *FIGURE 14*.



15. Secure remaining Leveling Bolt **S** through Washer **T**, into hole in Upright **D**, as shown in *FIGURE 15*.

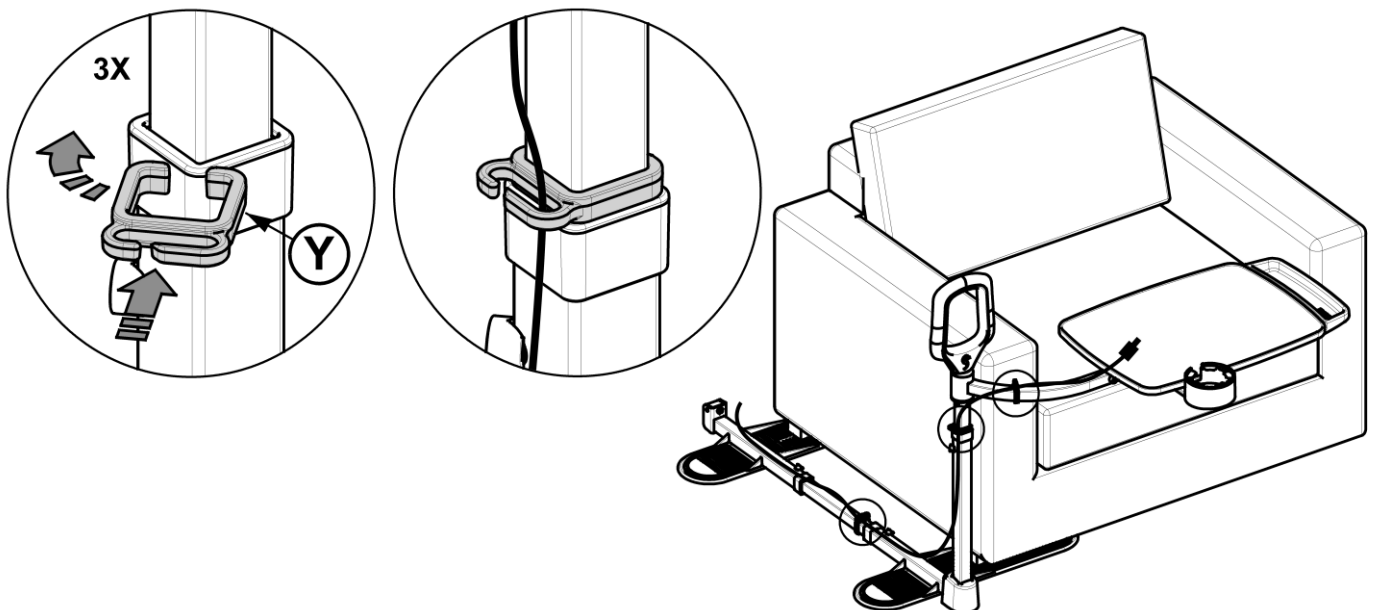


16. Ensure all 9 Bolts are firmly tightened as shown in *FIGURE 16*.



**FIGURE 16**

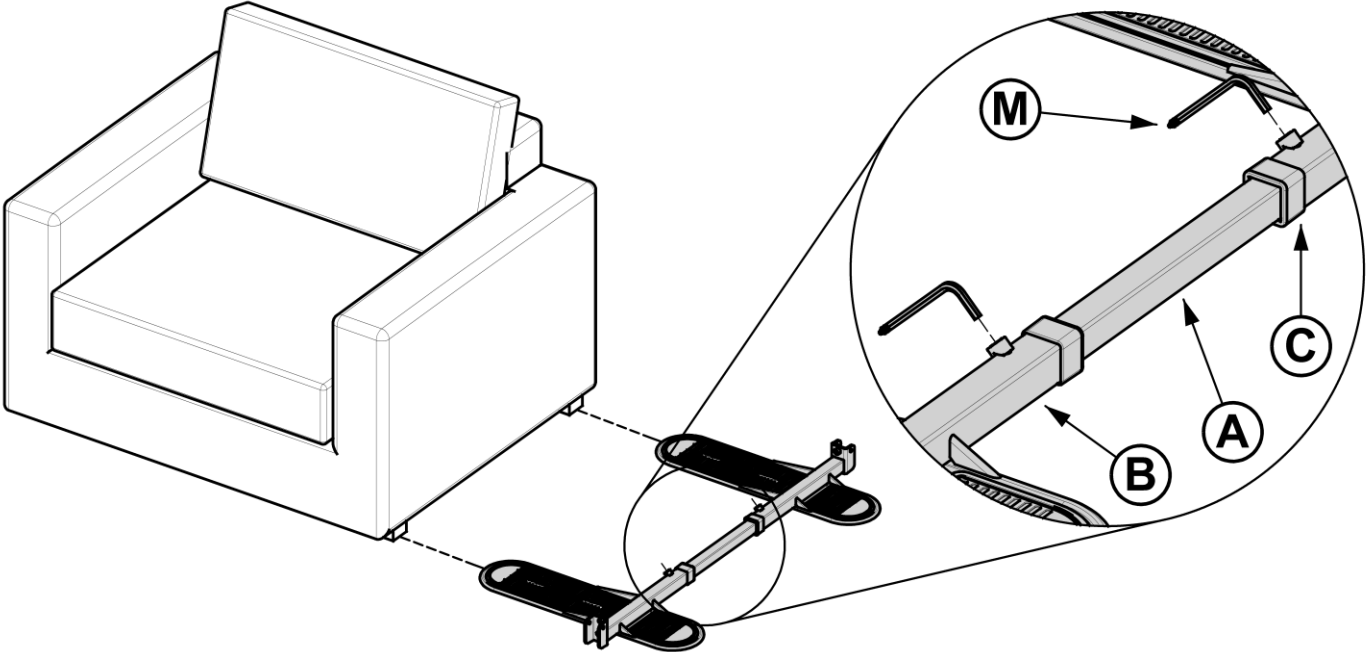
17. Optional POWER CORD CLIPS **Y** (3X) are provided. Firmly press POWER CORD CLIP onto corner of tube and rotate into any orientation. Suggested locations shown in *FIGURE 17*, however, clips can be installed wherever desired.



**FIGURE 17**

**RIGHT SIDE**  
Assembly and Installation

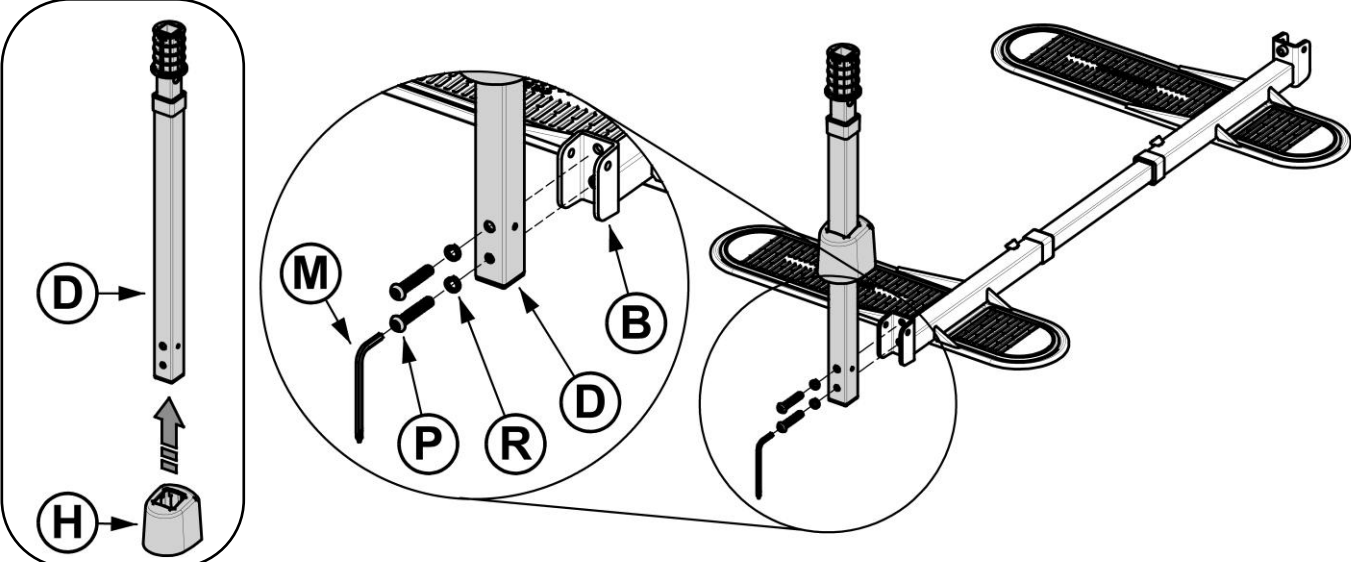
**18.** Slide Foot Connector **A** into Feet **B** and **C** as shown in *FIGURE 18*. Space out Feet **B** and **C** so that the center of the pads are the same width as furniture feet. Ensure **MAX** markings on Foot Connector **A** are covered by Feet **B** and **C** and tighten Set Screws on Feet **B** and **C** with Tool **M**.



**FIGURE 18**

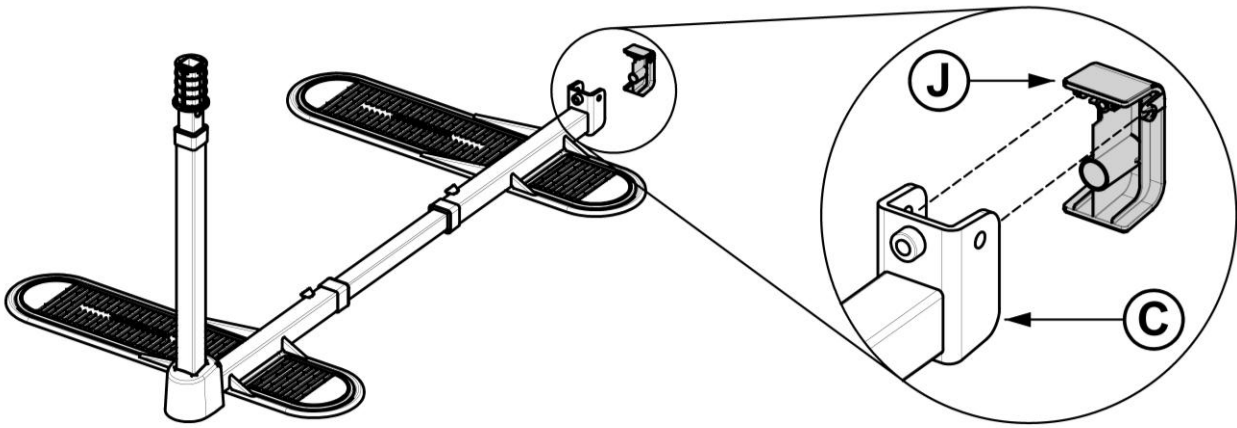
**19.** Slide Plastic Cover **H** over Upright **D**, and hold **H** up while installing bolts. Align holes in Upright **D** with holes in Base **B** as shown in *FIGURE 19*. Insert Bolts **P** (2x) through Washers **R** (2x) and Upright **D**, thread into Base **B**, and secure with Tool **M**.

**NOTE:** Adjustment holes in Upright **D** should be facing the rear of the product.



**FIGURE 19**

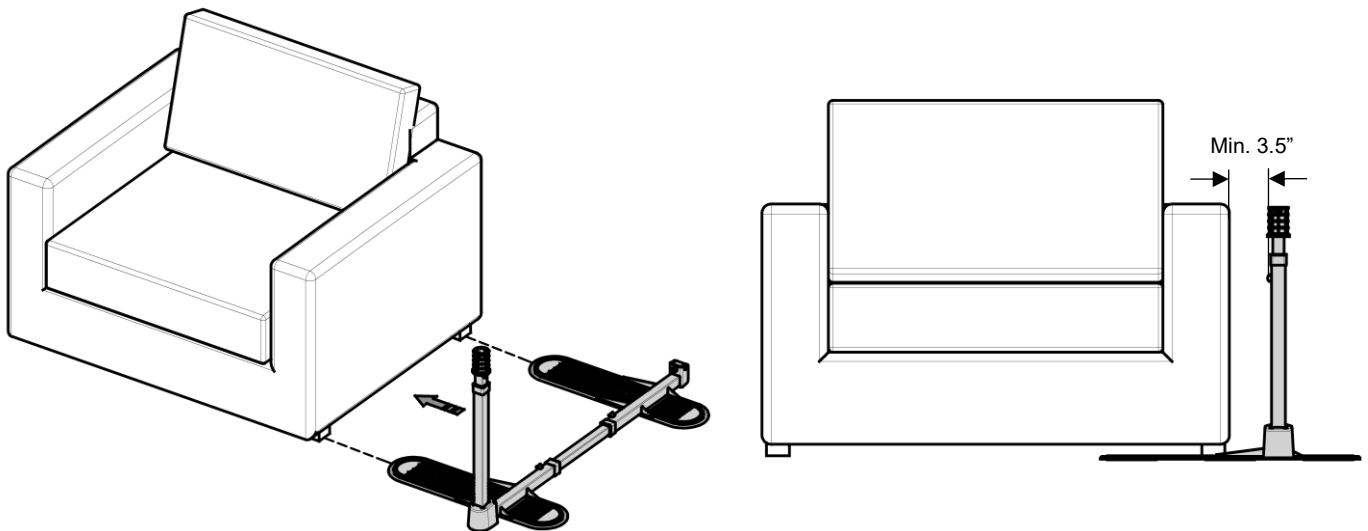
20. Attach Cap J to Base C, as shown in *FIGURE 20*.



**FIGURE 20**

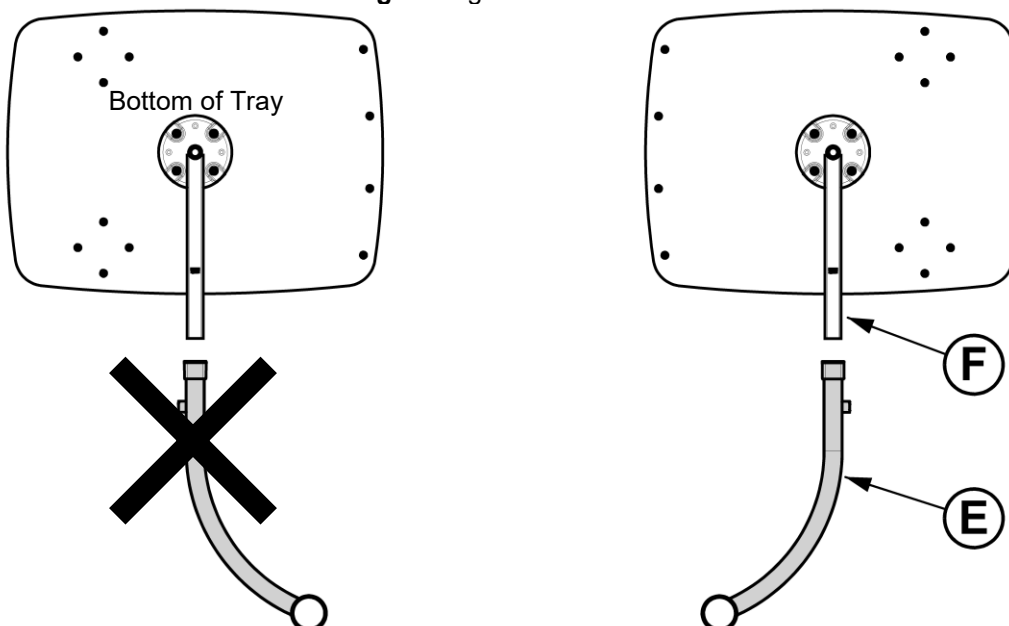
21. Place center of furniture feet on pads as shown in *FIGURE 21*. Allow at least 3.5 inch (90mm) of space between uprights and furniture arm. Pay special attention to the full motion of lift chairs and recliners so neither vertical support nor Handle comes into contact with furniture.

**WARNING:** Feet B and C **MUST** be firmly secured under heavy furniture at all times.



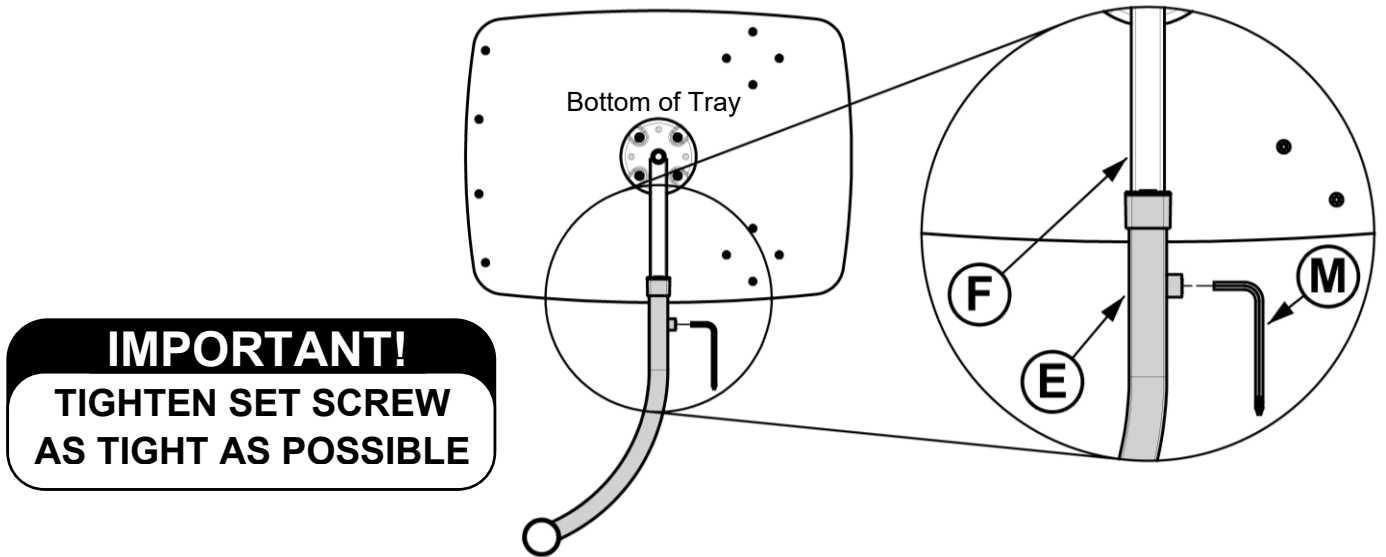
**FIGURE 21**

22. Slide Curved Arm E over support tube on Tray F until **MAX** marking is covered. Ensure Curved Arm E curves the correct direction as shown in the **Right** image in *FIGURE 22*.



**FIGURE 22**

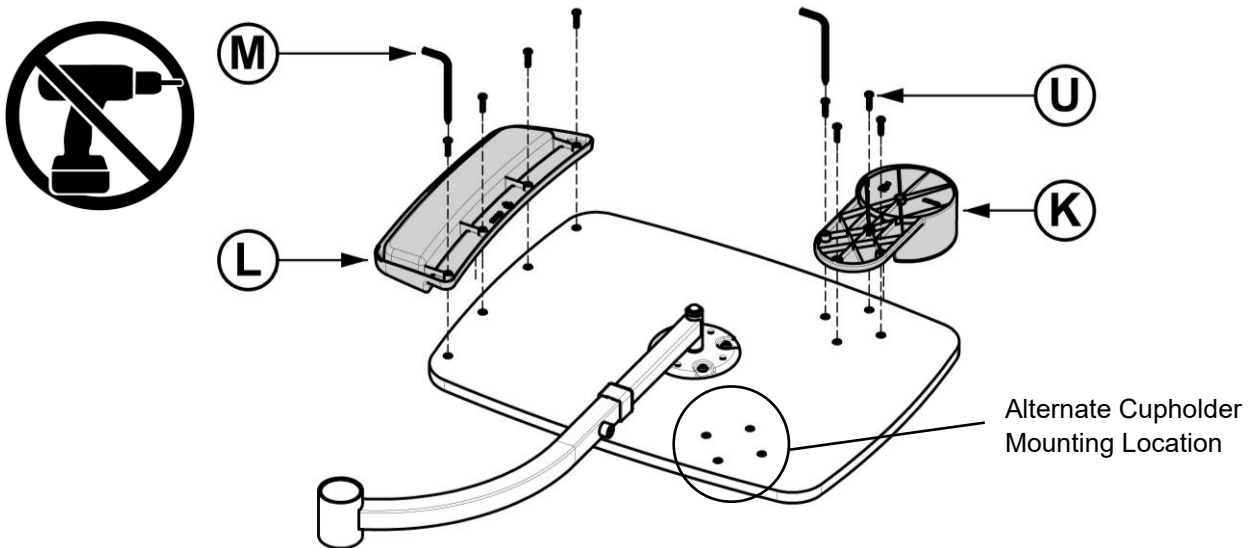
23. While keeping the MAX marking covered, tighten the Set Screw on Curved Arm **E** with Tool **M**, as shown in *FIGURE 23*.



**IMPORTANT!**  
TIGHTEN SET SCREW  
AS TIGHT AS POSSIBLE

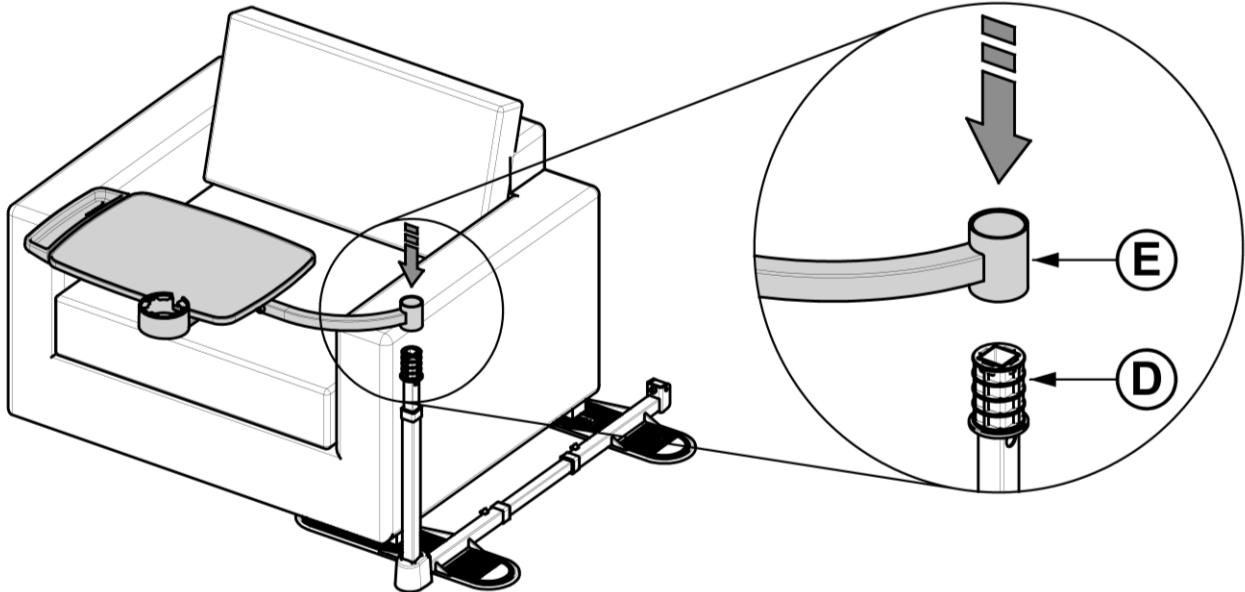
**FIGURE 23**

24. Secure Cupholder **K** and Utensil Organizer **L** to Tray **F** using Screws **U** (4x each) and Tool **M**, as shown in *FIGURE 24*.



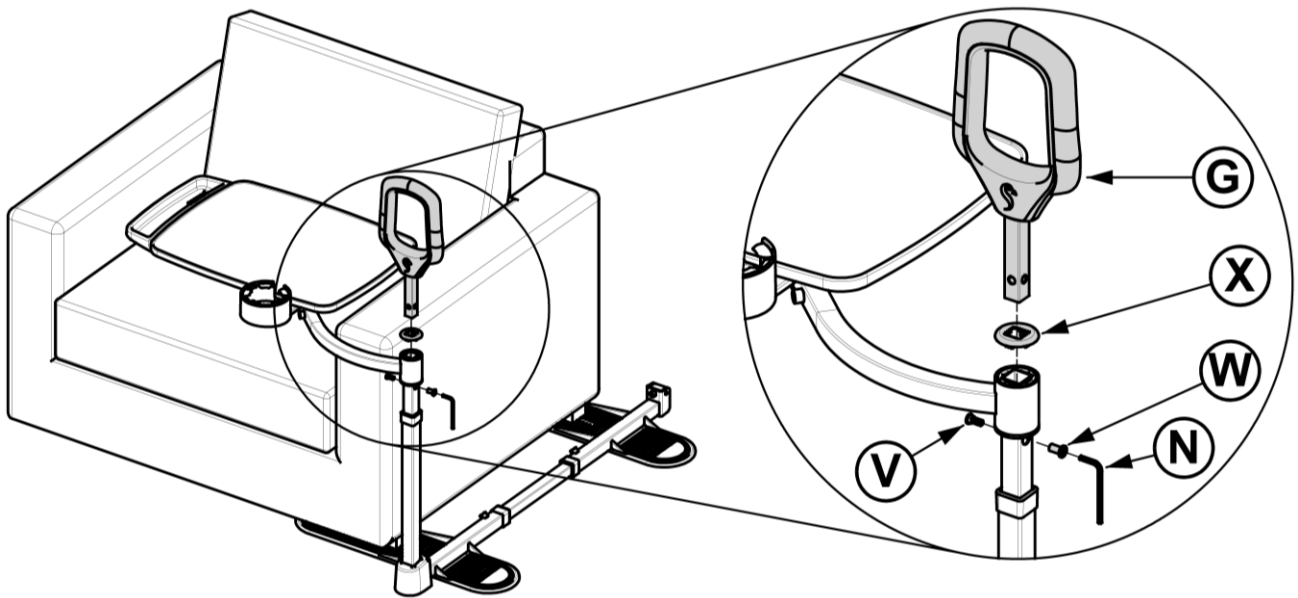
**FIGURE 24**

25. Slide tray and arm assembly onto top of Upright **D**, as shown in *FIGURE 25*.  
**HINT:** Rotating arm while pushing downward will help move assembly into position.



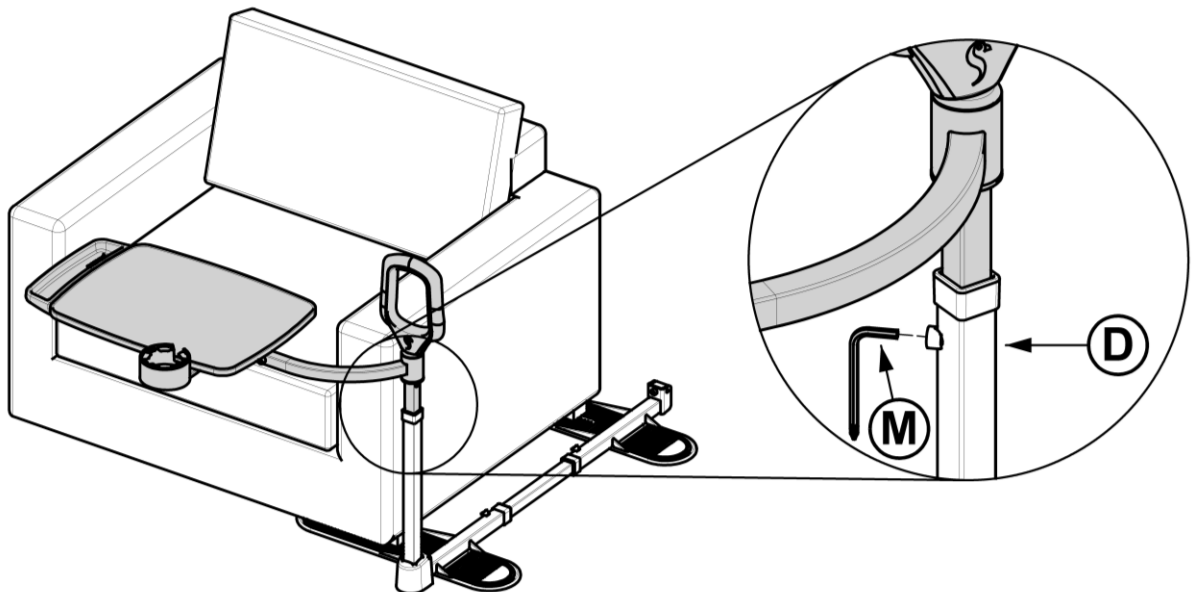
**FIGURE 25**

26. Insert Handle **G** through Cap **X** into upright. Secure with Bolts **V** and **W**, as shown in *FIGURE 26*.



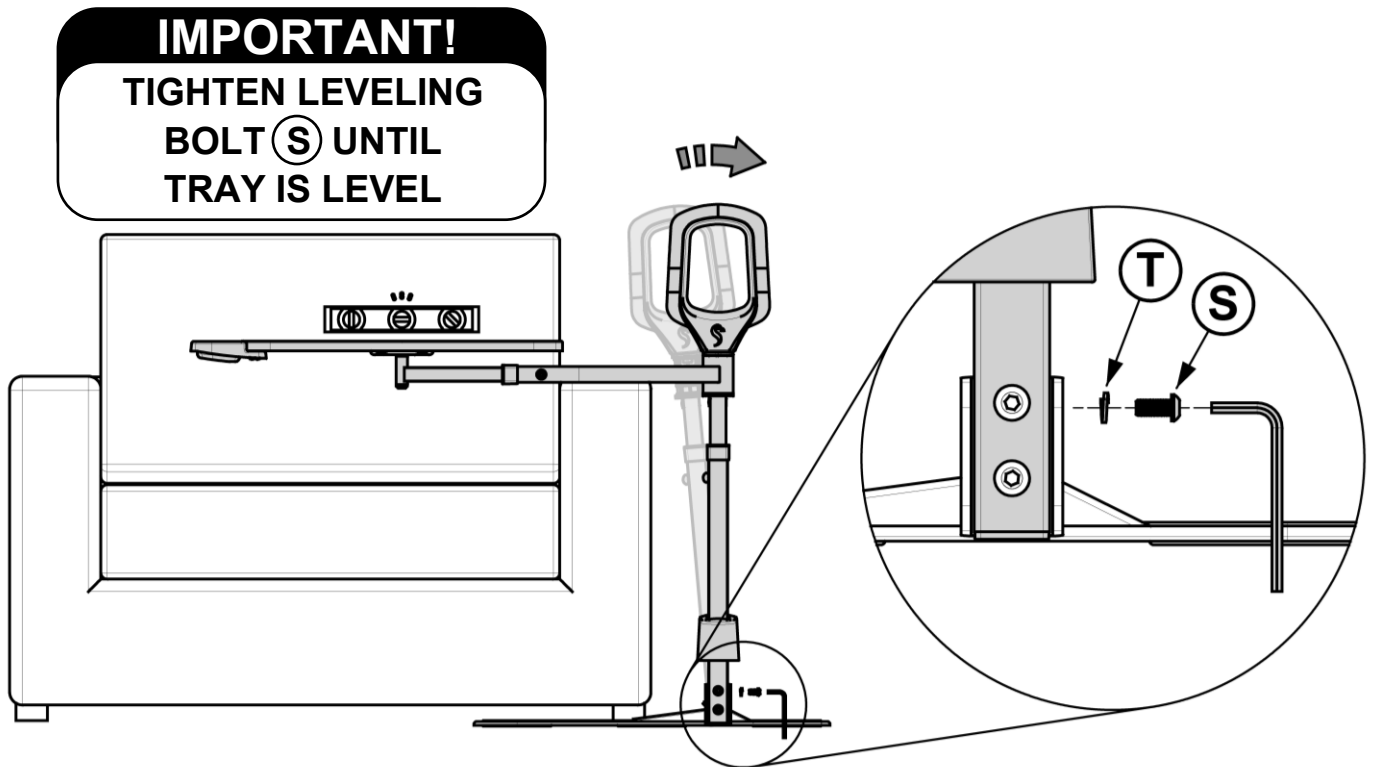
**FIGURE 26**

27. Adjust tray to desired height, ensuring Spring Button is engaged with a hole, and secure Set Screw in Upright **D** with Tool **M** as shown in *FIGURE 27*.



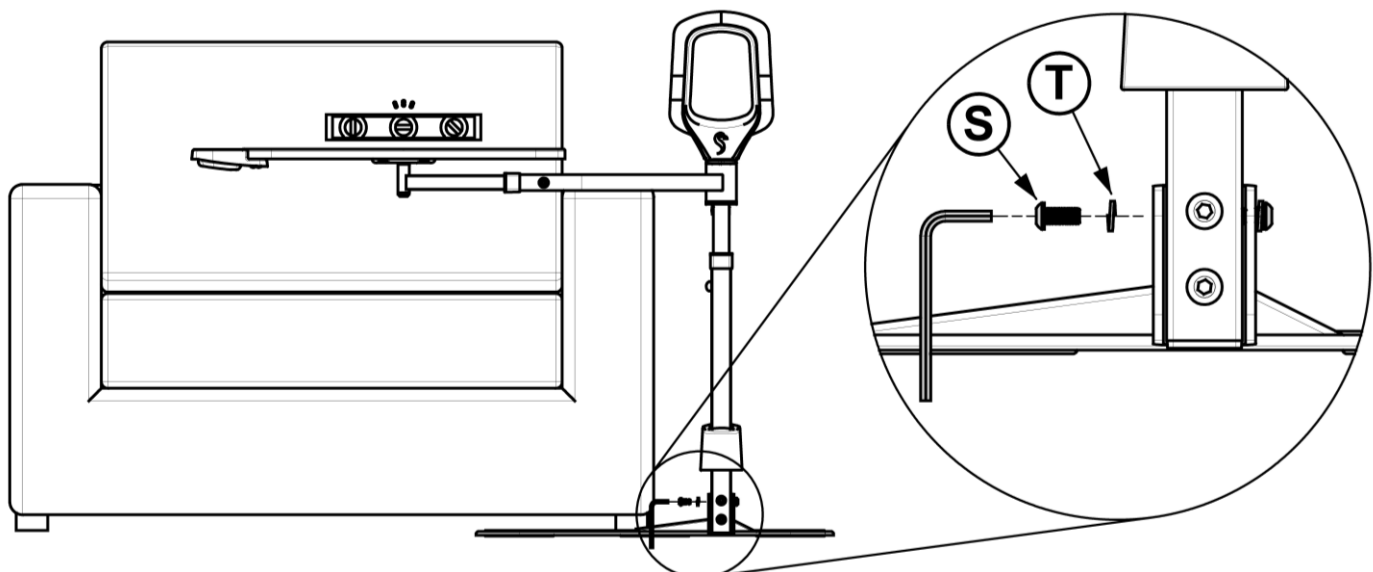
**FIGURE 27**

28. With Tray in position shown, insert Leveling Bolt **S** through Washer **T**, into hole in Upright **D**. Tighten Leveling Bolt **S** to pull the tray level, as shown in *FIGURE 28*.



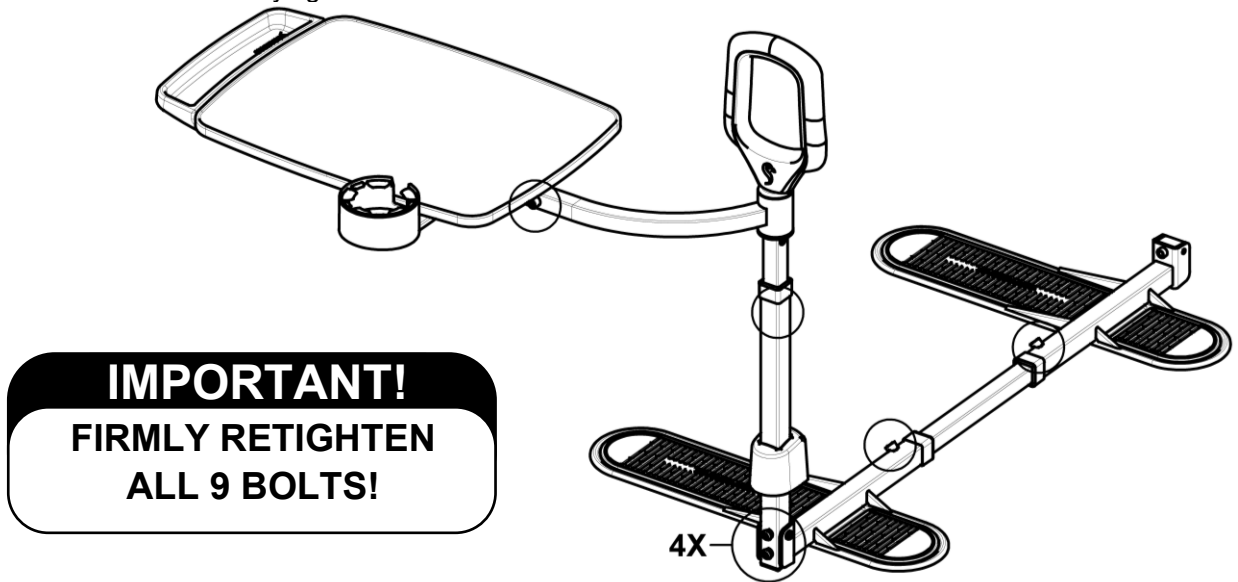
**FIGURE 28**

29. Secure remaining Leveling Bolt **S** through Washer **T**, into hole in Upright **D**, as shown in *FIGURE 29*.



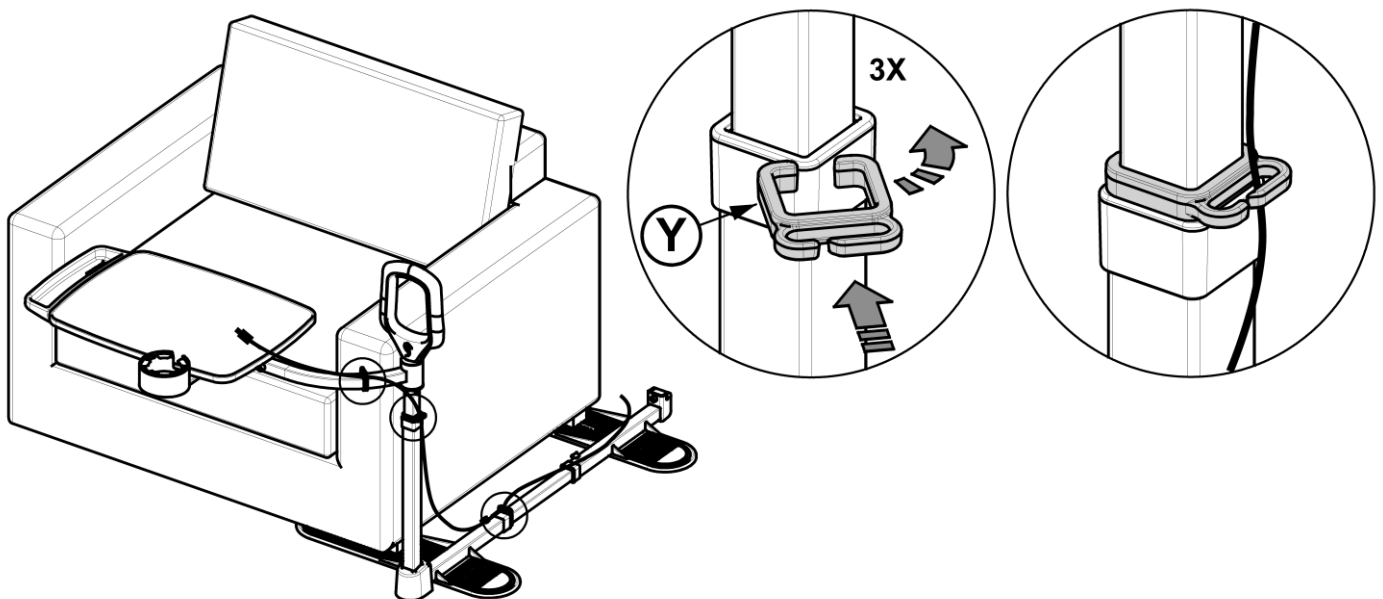
**FIGURE 29**

30. Ensure all 9 Bolts are firmly tightened as shown in *FIGURE 30*.



**FIGURE 30**

31. Optional POWER CORD CLIPS **Y** (3X) are provided. Firmly press POWER CORD CLIP onto corner of tube and rotate into any orientation. Suggested locations shown in *FIGURE 31*, however, clips can be installed wherever desired.



**FIGURE 31**