

Able2

K/D Perching Stools

PR60266



ASSEMBLY INSTRUCTIONS

1. Secure front frame (1) to back frame (2). Insert extension legs (3) into the front and back frames.

Using the screw (6), the washer (7) and the bolt (8) fix and tighten each side of the frame.



When installing the extension legs and adjusting their height, make sure that each is set into the same height adjustment hole and that the frame is level. Push buttons must fully protrude through the adjustment hole to ensure a positive lock.

2. Insert backrest (4) into the back frame (2), and insert armrest (5) into the front/back frames.

3. Attach seat (9) to frames and use screws (10) to tighten the seat.

USER INSTRUCTIONS

This product is intended for use as a stool, and can be used in the kitchen or the shower.

CARE INSTRUCTIONS

Periodically check that all screws are tight, and all push buttons are fully engaged. Rubber tips may need replacement over time. Clean with mild detergent and water. Dry thoroughly to avoid rust.

Distributed By:

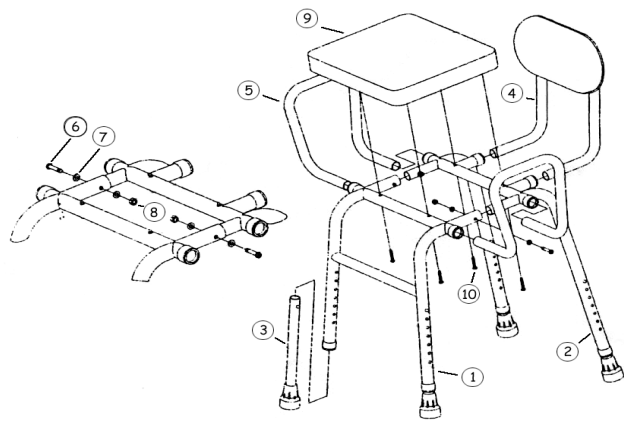
Able2 Europe B.V.
Koperslagerij 15
4762 AR Zevenbergen
The Netherlands
www.able2.nl

Able2 UK Ltd.
www.able2.eu

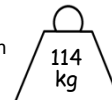
Able2 Iberia S.L.
www.able2.es



Please inspect all parts carefully for cracks/breaks prior to use.



Maximum
User Wt:



Valentine International Ltd.
8th Floor, No. 149, Sec 2, Ta Tung Road
221 Hsichih District, New Taipei City
Taiwan R.O.C.



Y. Sung Handelsvertretung
Duesselthaler Str. 24
40211 Duesseldorf Germany



Made in Taiwan

Rev. 071320