

**INTENDED USAGE:**

The products of the *Stools Line* allow increased independence during the shower stage of daily personal hygiene, reducing muscle fatigue due to standing position as well as slip and injury risks. The versions provided with non-slip rubber feet ensure better grip on the floor, whereas the models with height adjustable legs allow users to change the total height according to their needs easily. The versions provided with a rotating disc increase the freedom of movement without the need to stand up from the stool. Due to its flexibility, the stools can be positioned even on a bumpy and irregular floor, like those typical of many shower trays. The stools are available in three different shapes and the version with the tray makes it even more useful, practical, and stable. The stools can be easily moved due to their lightweight. The stools can be completed with a soft cushion to make the use more comfortable. The soft cushions and rotating discs are available separately as accessories.

**INDICATIONS AND CONTRAINDICATIONS:**

The products of the *Stools line* are aimed at elderly people, wheelchair users, people with reduced mobility of the lumbar, knee, or hip, and all those who have difficulty to maintain the standing position during the shower stages of daily personal hygiene. The user is required to have autonomy of balance during sitting and standing procedures as well as to have adequate ability to keep sitting. The stool must not be used if the user has problems related to balance or perception disorders.

**SAFETY WARNING AND INDICATIONS:**

- The maximum user weight indicated in the fitting instructions must not be exceeded.
- Before every use, be sure the stool is correctly assembled in a stable position.
- The stool can be used only on a surface free from obstacles.
- During assembly, strictly adhere to what is shown in the User Manual.
- The risk of finger injuries may increase during the mounting process.
- Do not swing on the stool; this may lead to slipping, overturning, or subsidence of the legs. Always keep all its all legs grounded on the floor surface.
- Do not modify the stool and its components in any way.
- Do not use the stool if damaged or altered in any way.
- After use, the stool should be removed from the tray to avoid obstruction.
- Do not use the stool for different purposes from the intended one.
- The stool must not be stored outdoors.

**MAINTENANCE INFO:**

Product maintenance consists of cleaning and sanitation procedures. In order to guarantee safe use and an adequate standard of hygiene, the user should perform these procedures before every use. The user has to make certain of the structural integrity of the device and its components, and the tightness of the screws must be checked. For cleaning and sanitation procedures, follow the steps below:

1. Gloves should be worn.
2. Remove the evident dirt before proceeding with the most accurate disinfection.
3. Use water or non-aggressive detergent for the cleaning procedure.
4. Wipe with a dry and clean cloth.

**Alternatively, the product can be cleaned in domestic dishwashers at the maximum temperature. The soft cushion must be cleaned strictly by hand.**

**REUSE REQUIREMENTS:**

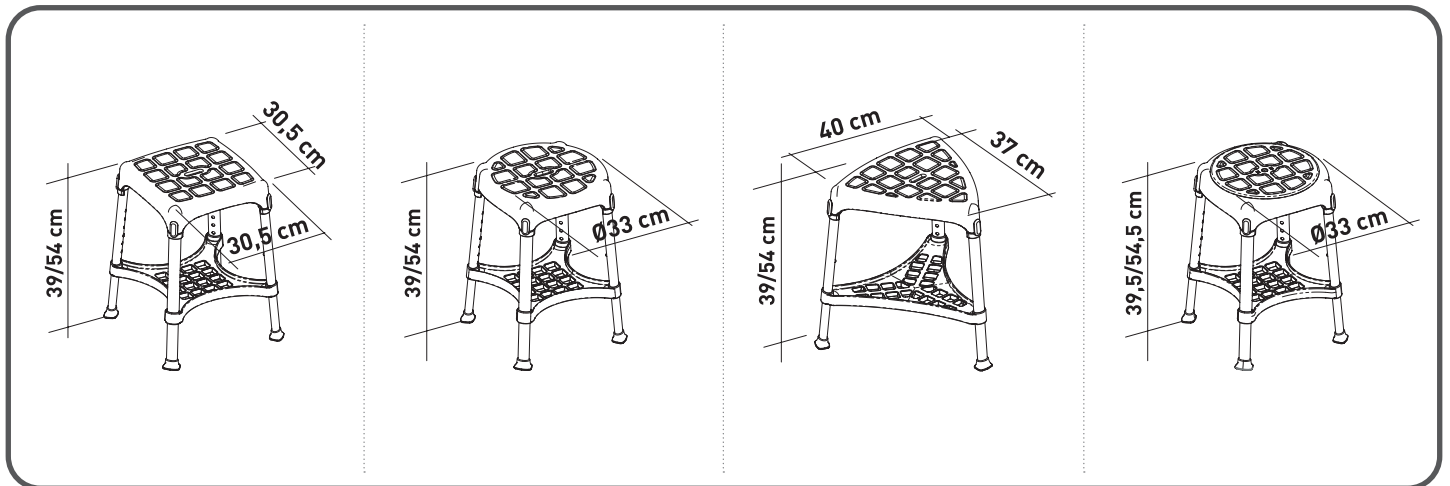
The product is suitable for reuse by other users. Before reusing by others, the product must be correctly cleaned and sanitized. Before the transfer of the product to others, the product must be checked by qualified dealers.

**CORRECT DISPOSAL PROCEDURE:**

Do not dispose of the product in the regular household waste. Ask your local authority beforehand for the correct and environmentally friendly way to dispose of it.

**INCIDENT REPORTING:**

If there is a serious incident involving this device, contact the manufacturer of this product at [info@lmglobaldesign.com](mailto:info@lmglobaldesign.com) and the responsible authority in your country.

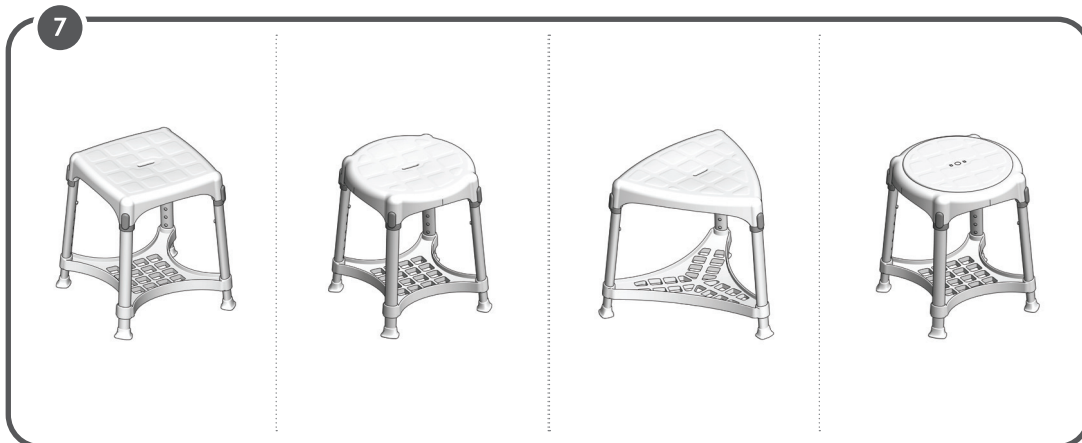
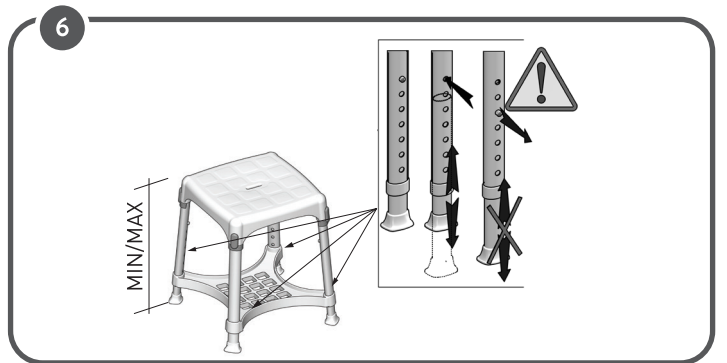
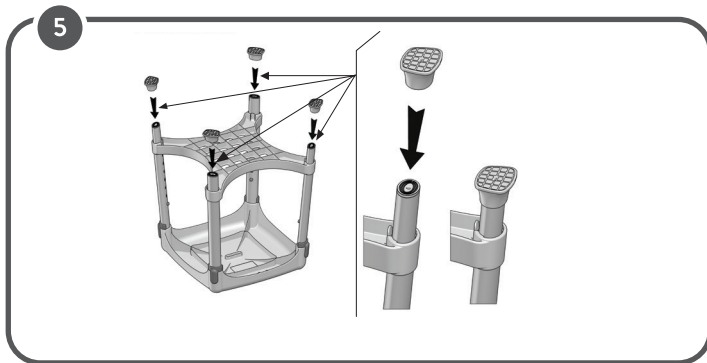
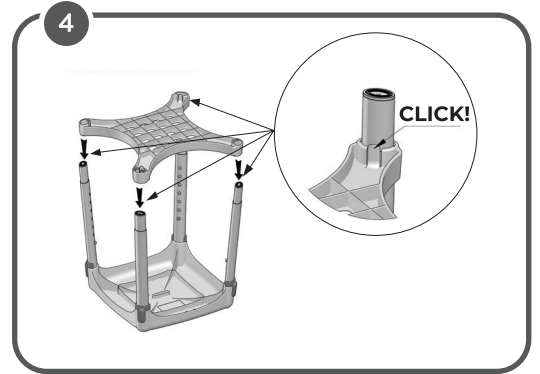
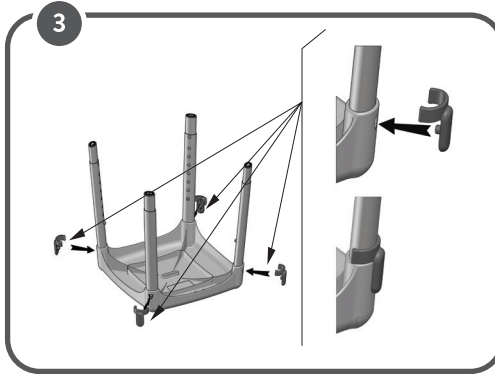
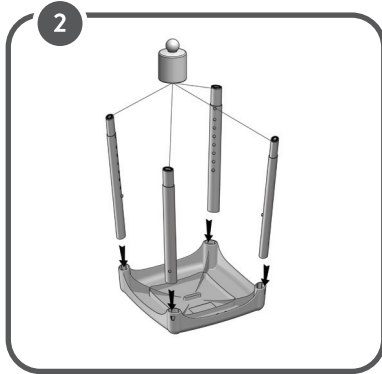
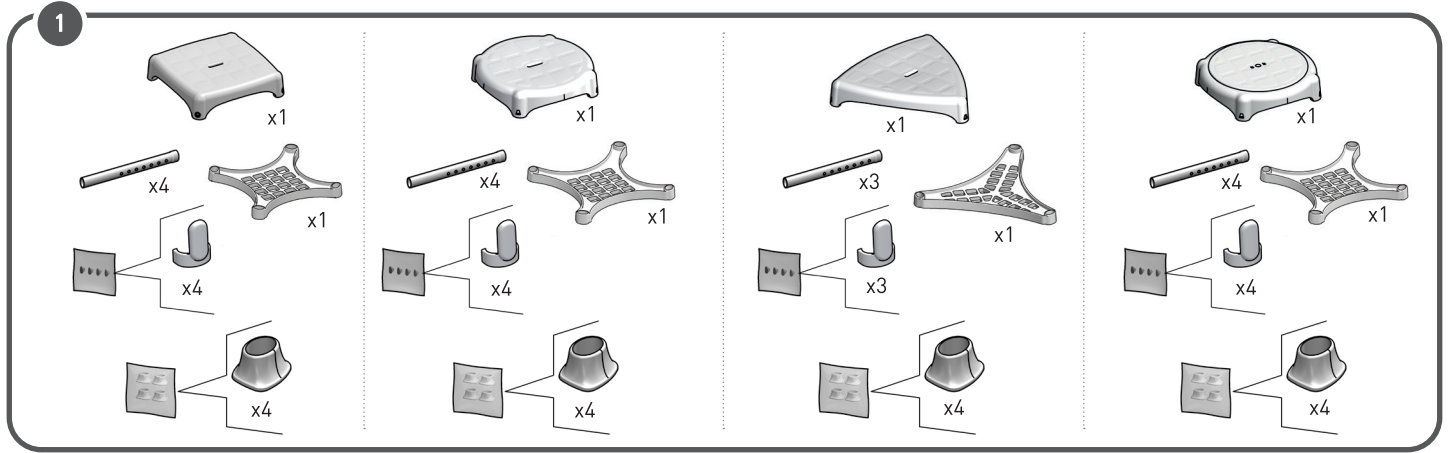


KING-STAT-00 - KINGBSTAT-00  
**SQUARE STOOL HEIGHT ADJUSTABLE WITH TRAY (WHITE - BLACK)**

KING-STRAT-00 - KING-BSTRAT-00  
**ROUND STOOL HEIGHT ADJUSTABLE WITH TRAY (WHITE - BLACK)**

KING-STTAT-00 - KING-BSTTAT-00  
**TRIANGLE STOOL HEIGHT ADJUSTABLE WITH TRAY (WHITE - BLACK)**

KING-STRRAT-00 - KING-BSTRRAT-00  
**ROTATING ROUND STOOL HEIGHT ADJUSTABLE WITH TRAY (WHITE - BLACK)**



**MADE IN ITALY**



**LM Global Design Ltd.**  
Suite 123, The Capel Building,  
Mary's Abbey,  
Dublin 7, D07 VY68, Ireland

(t) +353 (01) 6874012  
(w) www.lmglobaldesign.com  
(e) info@lmglobaldesign.com