

## INTENDED USAGE:

The *Commode Chair LM* allows the user to achieve greater autonomy and independence while using the toilet and the shower, reducing muscle fatigue due to standing position as well as slip and injuries risks. The commode chair can be set up in three different configurations:

- Placed directly on the WC as an alternative to the direct use of it, allowing the end user to keep a wider and more comfortable seat than those typical of the toilet bowl.
  - The use in combination with the bucket, available separately as accessory, makes the seat suitable for the proper use as commode even outside the bathroom.
  - By equipping the rigid cushion available separately as accessory, the commode can be used as a shower chair.
- The legs are height adjustable so that the user can choose the specific length according to their needs. The legs can also be configured so that the front ones are shorter than the rear ones. This promotes maintaining a healthier posture and reduce bending of knees and hips. The seat is provided with anti-slip caps and given its flexibility, it maintains stability also on bumpy floors, like those typical of many shower trays. The commode can be easily moved thanks to its reduced weight.

## INDICATIONS AND CONTRAINDICATIONS:

The Commode Chair LM is aimed to elderly people, wheelchair users, people with reduced mobility of lumbar, knee or hip, and to all those who have difficulty to maintain the standing position during the shower stages of daily personal hygiene or that are in need of more stability while using the WC. The user is required to have autonomy of balance during the sitting and standing procedures as well as to have adequate ability to keep sitting. The chair must not be used if the user has problems related to balance or perception disorders.

## SAFETY WARNING AND INDICATIONS:

- The maximum user weight indicated in the fitting instructions must not be exceeded.
- Before every use, be sure the commode chair is correctly assembled and stably positioned.
- The commode chair can be used only on surface that are free from obstacles.
- During assembly, strictly adhere to what is shown in the User Manual.
- Before placing the commode on the WC, check that the bucket supports are in closed position.
- The risk of finger injuries may increase during the mounting process.
- Do not swing on the commode chair, this may lead to slipping, overturning or subsidence of the legs. Always keep the shower seat on its 4 legs.
- Do not modify the commode chair and its components in any way.
- Do not use the commode chair if damaged or altered in any way. Cracks and deformations may strongly affect the performances and safety of the device.
- After using the product as shower seat, it should be removed from the shower tray to avoid any obstruction.
- Do not use the commode chair for a different purpose from the intended one.
- The commode chair must not be stored outdoors.

## MAINTENANCE INFO:

The products maintenance consists of the cleaning and sanitation procedures. In order to guarantee a safe use and adequate standard of hygiene, the user should perform these procedures before every use.

The user has to make certain of the structural integrity of the device and its components and the tightness of the screws must be checked. For cleaning and sanitation procedures, follow the steps below:

1. Gloves should be worn.
2. Remove the evident dirt before to proceed with the most accurate disinfection.
3. Use water or non aggressive detergent for the cleaning procedure.
4. Wipe with a dry and clean cloth.

**Alternatively, the product can be cleaned in domestic dishwashers at the maximum temperature.**

## REUSE REQUIREMENTS:

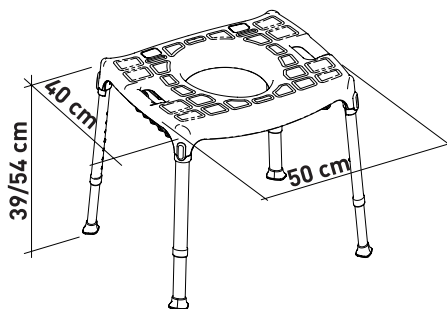
The product is suitable for reuse by other users. Before reuse by others, the product must be correctly cleaned and sanitized. Before the transfer of the product to others, the product must be checked by qualified dealers.

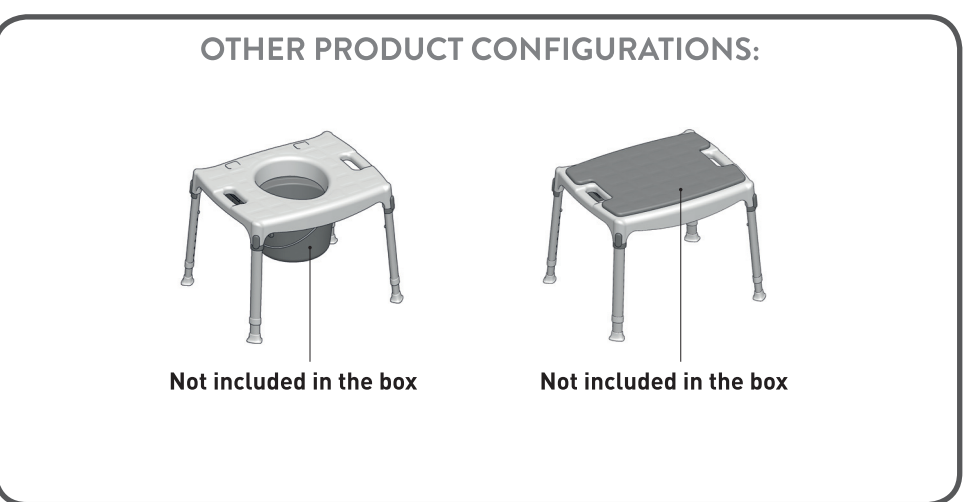
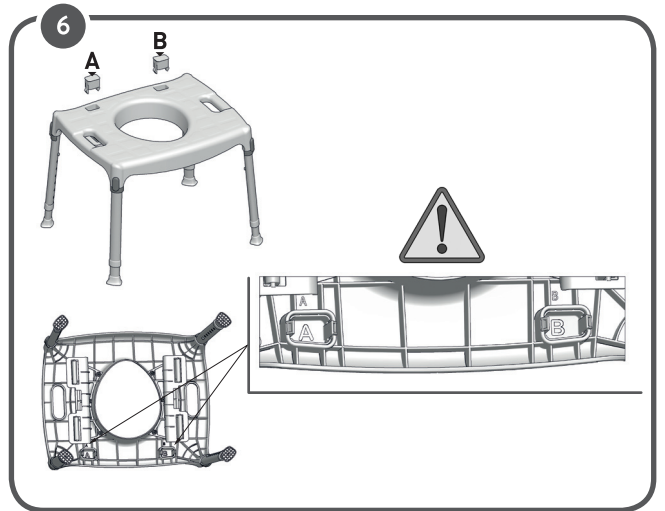
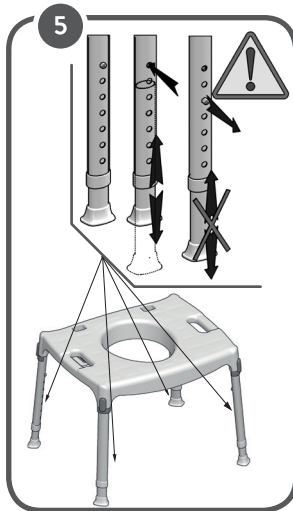
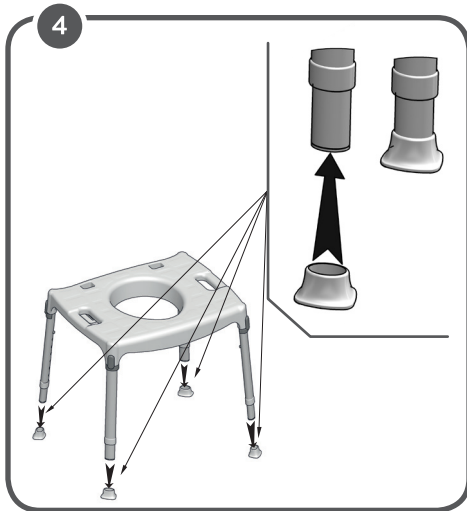
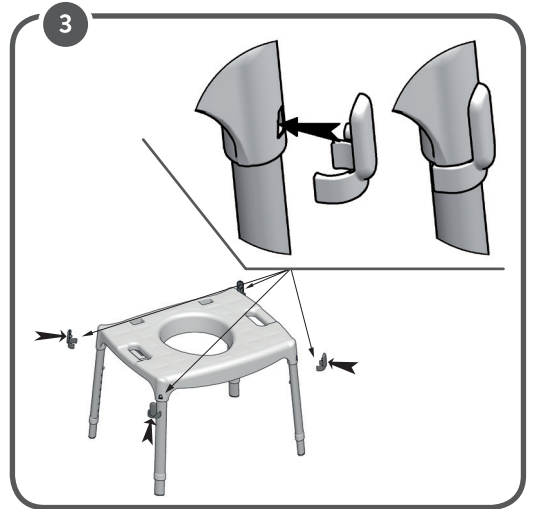
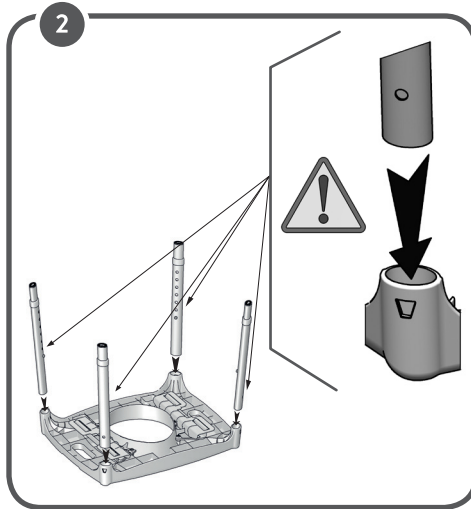
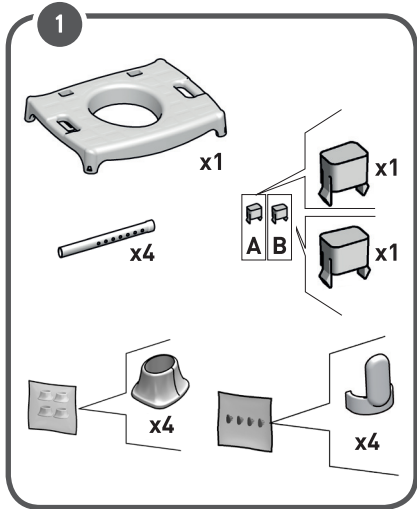
## CORRECT DISPOSAL PROCEDURE:

Do not dispose of the product in the normal household waste. Ask your local authority beforehand for the correct and environmentally friendly way to dispose it.

## INCIDENT REPORTING:

If there was a serious incident involving this device, contact the manufacturer of this product at [info@lmglobaldesign.com](mailto:info@lmglobaldesign.com) and the responsible authority in your country.





MADE IN ITALY

