

Assembly and installation Instructions

1. Remove all parts from the box and become familiar with the parts. Remove Safety Locking Pins as shown in Figure 1.

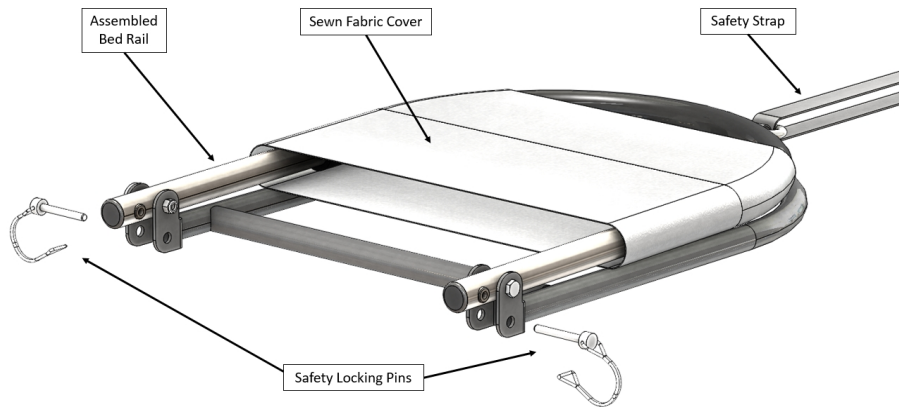


Figure 1

2. Rotate Handle Tube into upright position that is 90 degrees from Base Tube as shown in Figure 2.
3. Align holes at the base of Handle Tube with the holes in Bracket as shown in Figure 2.
4. Re-Insert the Safety Lock Pins into the aligned holes in order to secure Handle Tube in the bed rail user position as shown in Figure 2.

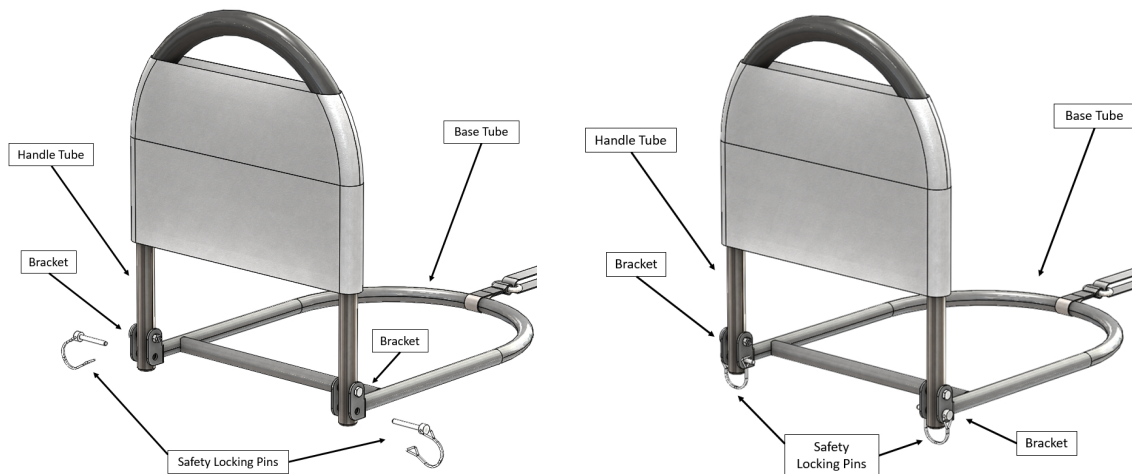


Figure 2

5. After Safety Lock Pins have been re-inserted through the aligned holes, rotate the wire loop over the end of the Safety Lock Pins as shown in Figure 3.

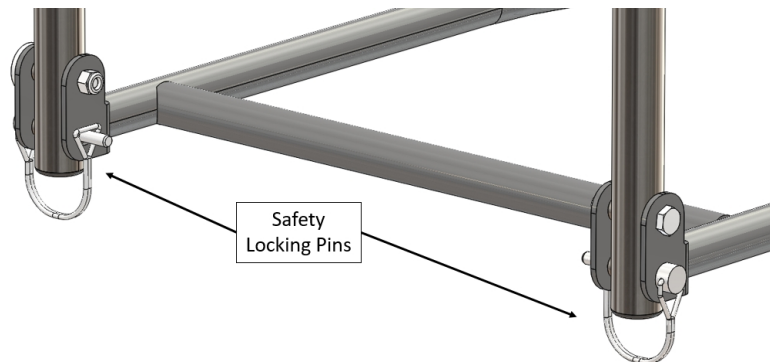


Figure 3

6. **Entrapment Warning:** Secure the SAFETY STRAP to the bed frame, as shown in Figure 4. Unbuckle strap and loop strap around bed frame and re-buckle. Tighten strap to secure Handle Assembly against the side of the mattress. Do NOT install product without securing the SAFETY STRAP to the bed frame as shown in Figure 4. If you have any questions, call Stander at (800) 506-9901 or (435) 755-0453.

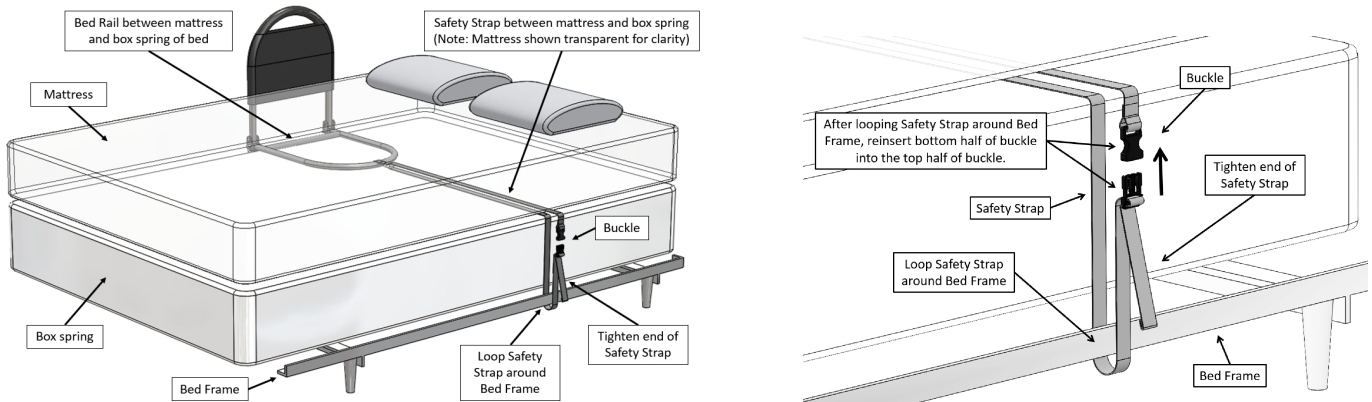


Figure 4

7. **Entrapment Warning:** Install the Sewn Fabric Cover over the Handle as shown in Figure 5. Do NOT use the product without the Sewn Fabric Cover installed. Do NOT alter the Sewn Fabric Cover in any way. The Sewn Fabric Cover helps prevent getting entrapped within the bed rail (see the **Entrapment Prevention Guidelines** sheet provide with these instructions).

NOTE: Keep the product 12.5 inches from the head end of the bed to help prevent entrapment issues (see the **Entrapment Prevention Guidelines** sheet provide with these instructions). Also, keeping the Handle height 4 inches or more helps prevent user(s) from climbing over the product as shown in Figure 5.

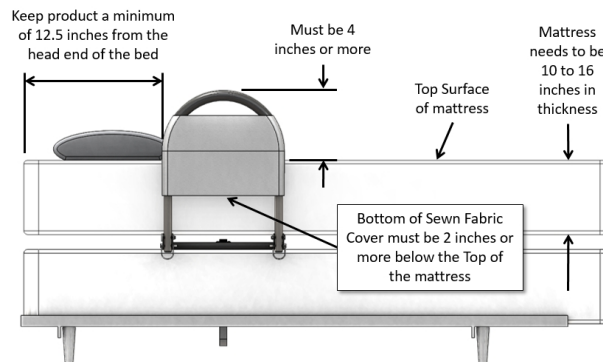


Figure 5

8. It is important that the Bedrail is secured to the Side of the mattress. The Safety Strap is looped around the Bed Frame on the opposite side of the bed, buckled, and tightened as show in Figure 6.

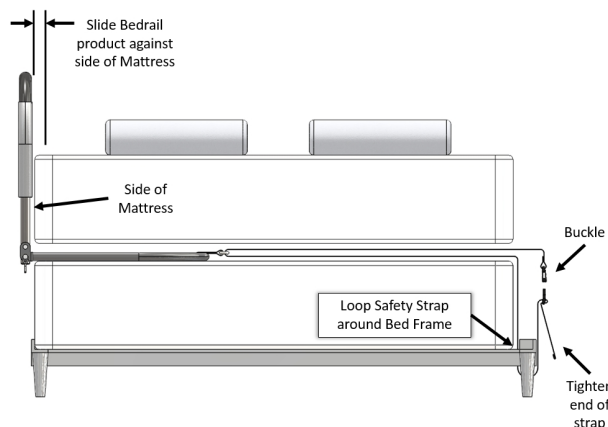


Figure 6