

Assembly Instructions

1. Remove all parts from the box and become familiar with the parts as shown in Figure 1.

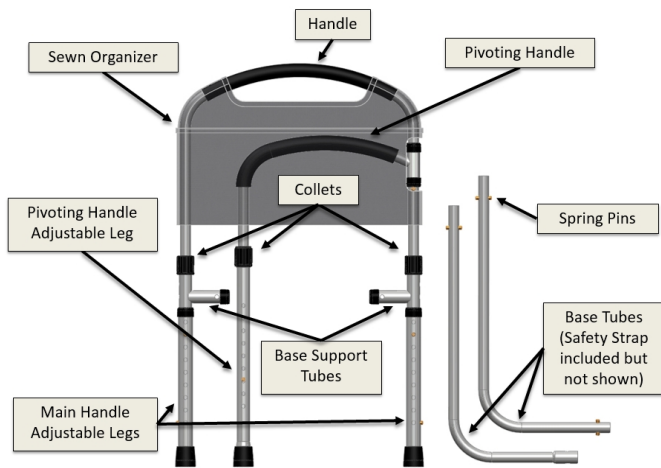


FIGURE 1

2. Determine which side of the bed the product will be installed as shown in Figure 2.

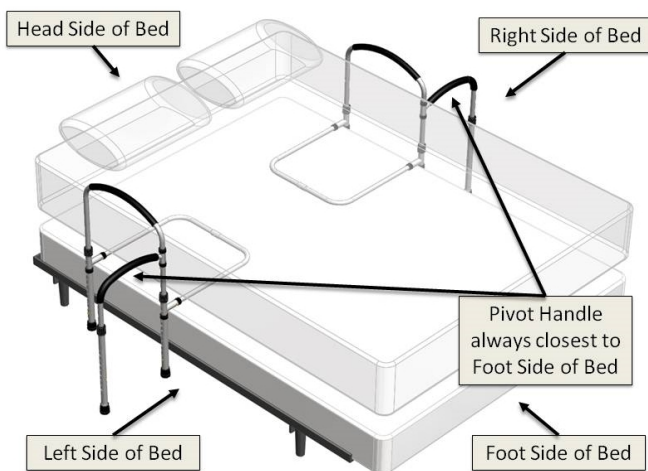


FIGURE 2

3. **IMPORTANT:** Position the product in the correct orientation based on which side of the bed you will be using this product as shown in Figure 3.

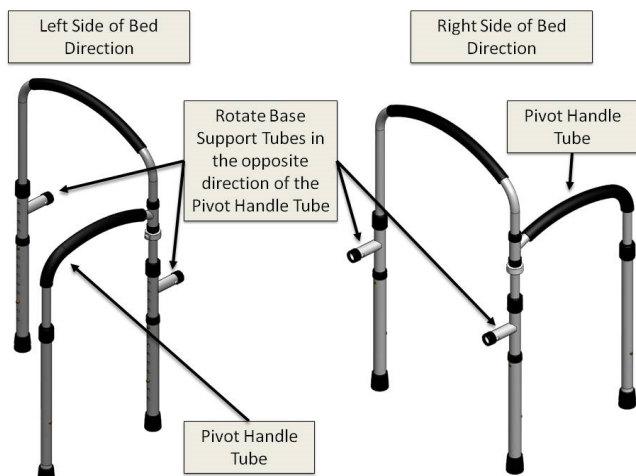


FIGURE 3

4. Connect Base Tubes together as shown in Figure 4.

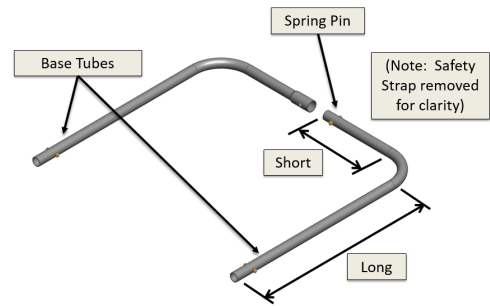


FIGURE 4

5. NOTE: This next step is dependent on which side of the bed the product will be installed. Attach Base Tubes into the Base Support Tubes as shown in Figure 5. Make sure the Spring Pins engage the hole in the Base Support Tubes.

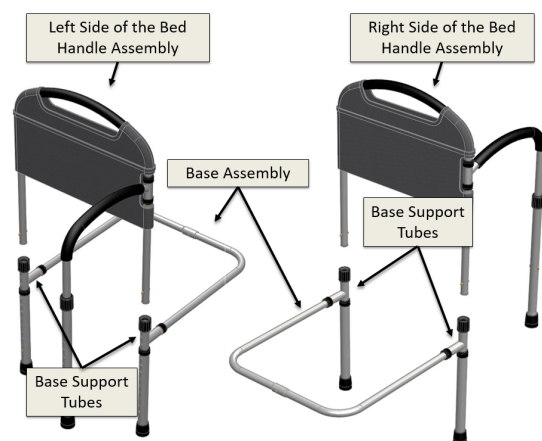


FIGURE 5

6. **Adjusting height of Main Handle:**

As shown in Figure 6, the height of the handle can be adjusted up or down by loosening the Collets by rotating counter clockwise. Depress both spring pins so the handle can move up or down to the desired height. After adjusting the Main Handle to the desired height, tighten Collets by rotating clockwise.

7. **Adjusting height of Main Handle legs:**

As shown in Figure 6, the Main Handle Adjustment Legs can be adjusted up or down to engage the floor by depressing the spring pins so the legs can move up or down to the desired height.



FIGURE 6

8. **Entrapment Warning:** Secure the **SAFETY STRAP** to the bed frame, as shown in Figure 7. Unbuckle strap and loop strap around bed frame and re-buckle. Tighten strap to secure Handle Assembly against the side of the mattress. Do NOT install product with securing the **SAFETY STRAP** to the bed frame as shown in Figure 7. If you have any questions, call Stander at (800) 506-9901 or (435) 755-0453.

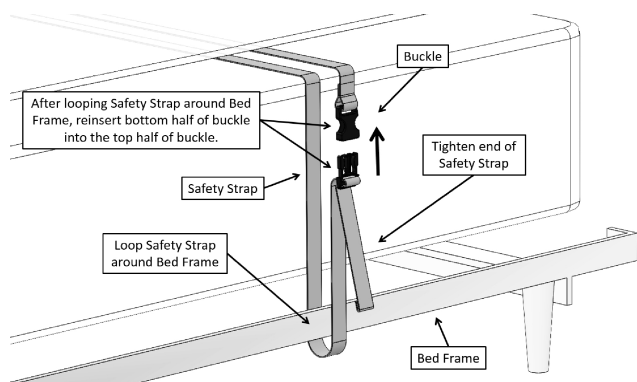
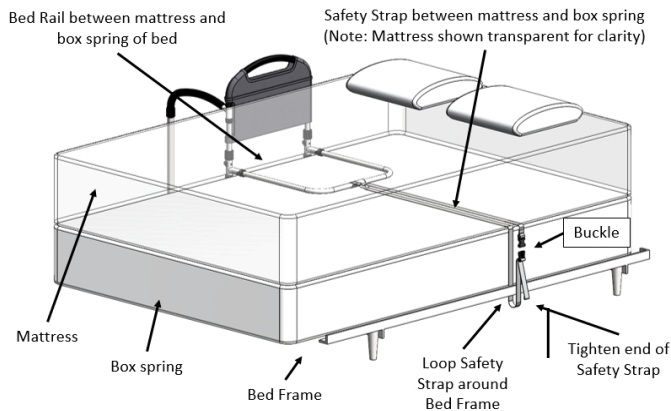


FIGURE 7

9. **Entrapment Warning:** Install the Sewn Fabric Cover over the Handle as shown in Figure 8. Do NOT use the product without the Sewn Fabric Cover installed. Do NOT alter the Sewn Fabric Cover in any way. The Sewn Fabric Cover helps prevent getting entrapped within the bed rail (see the **Entrapment Prevention Guidelines** sheet provide with these instructions).

NOTE: Keep the product 12.5 inches from the head end of the bed to help prevent entrapment issues (see the **Entrapment Prevention Guidelines** sheet provide with these instructions). Also, keeping the Handle height 4 inches or more helps prevent user(s) from climbing over the product.

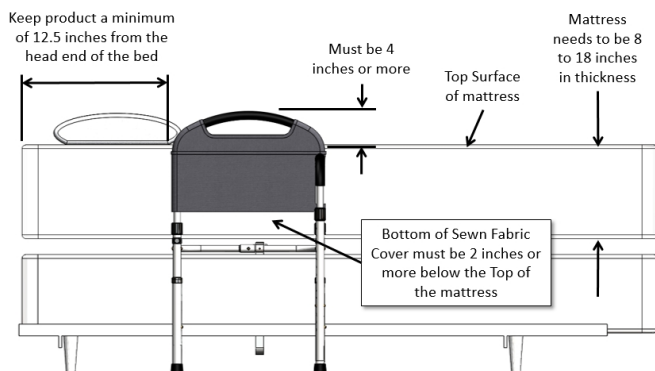


FIGURE 8

10. It is important that the Bedrail is secured to the Side of the mattress. The Safety Strap is looped around the Bed Frame on the opposite side of the bed, buckled, and tightened as show in Figure 9.

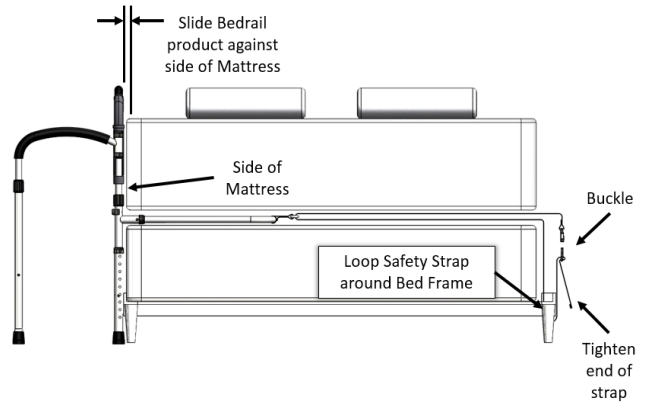


FIGURE 9