

Assembly Instructions:

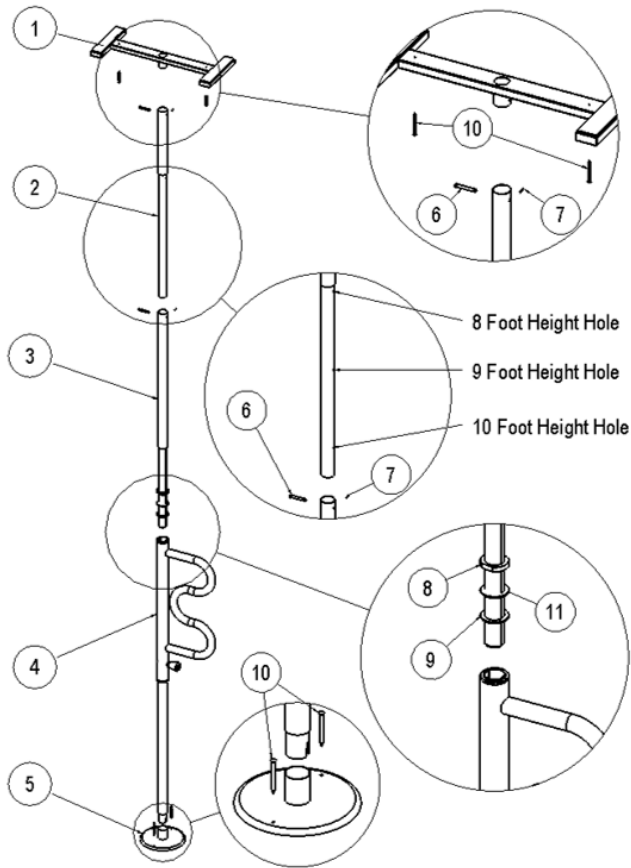


FIGURE 1

NOTE: This product is designed to be used with ceiling heights that range from 7 to 10 foot ceilings. All of the necessary parts are included in this package to accommodate 7, 8, 9, and 10 foot ceilings.

(ITEM-2) is an adjustable Extension Tube that must be used for 8, 9, and 10 foot ceiling heights. **NOTE:** (ITEM-2 will have non-painted area exposed.

Determine where you plan to use this product and the height of the ceiling before continuing the assembly process.

1. Take all parts out of the box and lay them on a flat surface as shown in Figure 1.
2. If you have a 7 foot ceiling, do not use Extension Tube (ITEM-2). Attach the Upper Frame (ITEM-1) directly to ITEM-3 by aligning the holes in ITEM-1 and ITEM-3 and inserting the Clevis Pin (ITEM-6) through the holes. After the Clevis Pin is inserted, place the Cotter Pin (ITEM-7) through the hole of the Clevis Pin as shown in Figure 2.
3. If you have an 8 to 10 foot ceiling, attach the Upper Frame (ITEM-1) to the Extension Tube (ITEM-2) by aligning the holes and inserting the Clevis Pin and Cotter Pin as shown in Figure 2.
4. The Extension Tube (ITEM-2) has 3 sets of holes marked "8 Foot Height Hole", "9 Foot Height Hole", and "10 Foot Height Hole" as shown in Figure 1. Use the appropriate

height hole that corresponds to the height of the ceiling this product will be installed.

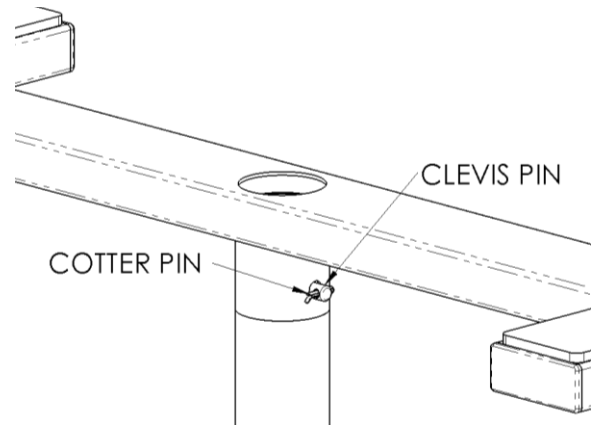


FIGURE 2

5. For an 8 foot ceiling, align the Extension Tube (ITEM-2) hole marked "8 Foot Height Hole" (as shown in Figure-1) to (ITEM-3) and insert the Clevis Pin and Cotter Pin as previously done in Step 2.
6. For a 9 foot or 10 foot ceiling, align the Extension Tube (ITEM-2) with either the hole marked "9 Foot Height Hole" or "10 Foot Height Hole" (as shown in Figure-1) to (ITEM-3) and insert the Clevis Pin and Cotter Pin as previously done in Step 2.
7. Attach Base Plate (ITEM-5) to Handle Tube (ITEM-4), as shown in Figure 1, by aligning the slots in Handle Tube (ITEM-4) with the internal pin in Base Plate (ITEM-5) so the slots straddle the internal pin to prevent rotation as shown in Figure 3.

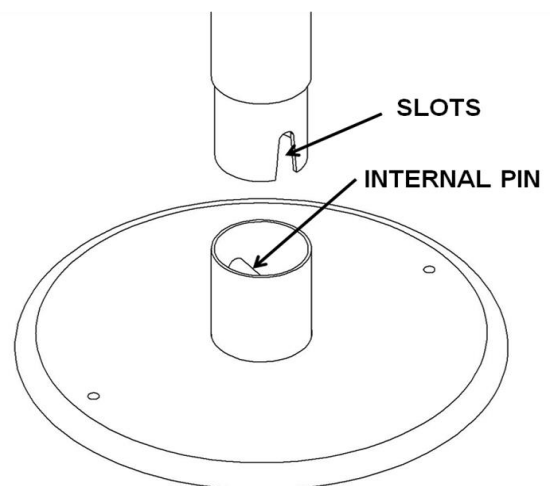


FIGURE 3

8. Insert the threaded portion of ITEM-3 into ITEM-4 and place the Safety Pole in the desired location with ITEM-5 on the floor and ITEM-1 on the ceiling.

NOTE: Make sure the Plastic Washer (ITEM-11) is placed between the Adjustment Nut (ITEM-8) and the Washer (ITEM-9) as

shown in Figure 1 before inserting ITEM-3 into ITEM-4.

- To secure the pole between the floor and the ceiling, the Adjustment Nut (ITEM-8) must be tightened in a clockwise direction with the included wrench (Item not shown). Tighten the lower Adjustment Nut until the pole is secured between the floor and the ceiling.

WARNING: After the pole is secured between the floor and ceiling, check the length of exposed threaded area. Do NOT install if the length of exposed thread is longer than 11 inches.

WARNING: If the pole does not appear to be securely fastened between the floor and ceiling, loosen the Adjustment Nut (ITEM-8) and make sure the length of the Safety Pole is perpendicular to the floor and ceiling before tightening the Adjustment Nut (ITEM-8) again as previously done in Step 8.

Slight movement of the pivoting handle is normal and safe. This movement allows the locking pin to easily lock into 8 user friendly positions. Pull the pin and rotate the curved handle. Release the handle and continue to rotate the curved handle until the spring loaded pin locks the handle into the desired position.

(OPTIONAL) INSTALLATION USING SCREWS

When the pole is installed properly there should be no movement between the Base Plate (Item-5) and the floor, or the Upper Frame (Item-1) and the ceiling when in use. It is important to inspect the pole frequently to ensure the pole does not move.

Since there are many unforeseeable conditions (conditions where the pole may move or become loose), Stander Inc. has provided the installer/user(s) an option to anchor the product to the floor and ceiling using the included screws (Item-10).

The Upper Frame (Item-1) has two holes spaced 16 inches apart to align with the wood ceiling joists. It is important that the screws pass through the Upper Frame holes and are secure into the wood ceiling joists as shown in Figure 4.

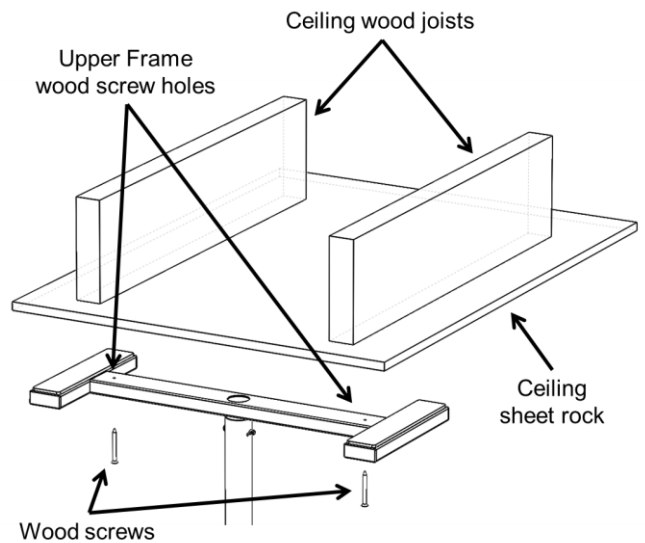


FIGURE 4 (OPTIONAL)

Tile floor conditions: If the Base Plate (Item-5) is to be mounted to a ceramic tile floor, holes must first be drilled through the tile only before using the wood screws. Place the wood screws through the Base Plate holes and secure into the wood floor as shown in Figure 5.

Linoleum or carpeted floors: If the Base Plate (Item-5) is to be mounted on either Linoleum or carpeted floors, place the wood screws through the Base Plate holes and secure directly into the wood floor as shown in Figure 5.

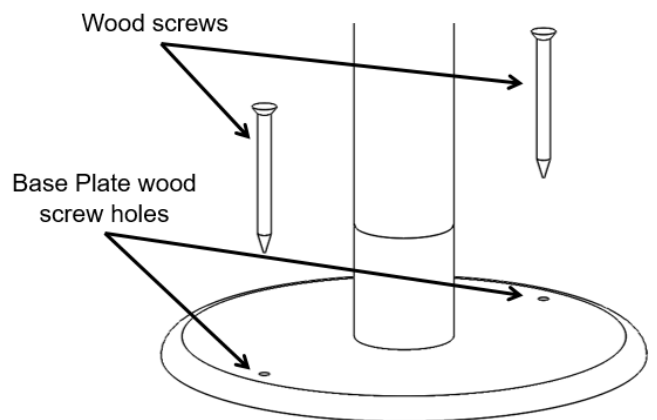


FIGURE 5 (OPTIONAL)

If the installer/user(s) have any questions, please call Stander Inc. at (800) 506-9901 or (435) 755-0453.